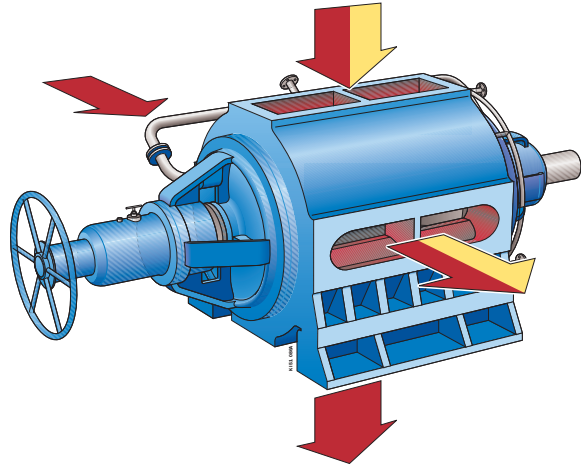
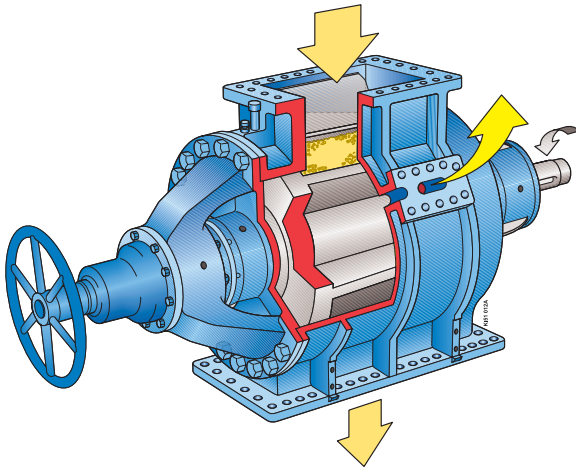
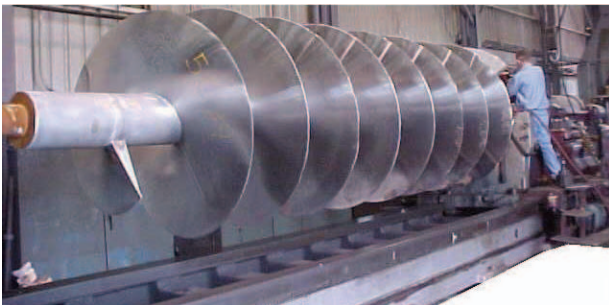


Kamyr* Continuous Digester



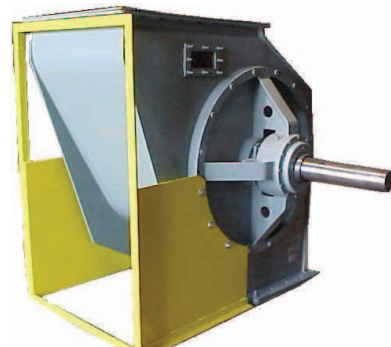
With 30+ years of experience at Metso Wyesco and Metso's 70+ years of experience in continuous cooking we specialize in the service of all digester equipment.

We are consistently able to increase the efficiency, reduce the maintenance cost, and sustain the longevity in our customer's equipment. Our on-time deliveries, competitive repair rates, and dedication to quality, makes Metso Wyesco one of the premiere repair facilities in North America. In addition to providing great service and quality rebuilds, Metso Wyesco offers Kamyr & Kvaerner O.E.M. spare parts, upgrades, retrofits, process technology, troubleshooting, and new equipment.



Results

- Improved and Repeatable Results
- Reduced Repair Cost and Downtime
- Increased Efficiency and Longevity
- Upgrades and Retrofits
- Kamyr/ Kvaerner O.E.M. Spare Parts
- Process Technology and Troubleshooting
- Detailed Failure Analysis and Assembly Reports



For more information, contact
Metso Wyesco Service Center
222 Hwy. 19, Slaughter, LA, 70777
Phone: (225) 654-5654
Fax: (713) 893-6918

Specifications in this document are subject to change without notice.
* All trademarks and trade names used herein are the property of their respective owners and do not indicate affiliation, endorsement, or sponsorship.