

Metso cone crusher maintenance tools

Metso has developed specific tools for safer operations on HP cone crusher

Cone wears lifting tool



This safety tool is available for lifting the wear parts on the Metso type HP cone crushers.

Two sizes exist to suit: one for HP400, HP500, HP5 and one for HP200, HP300, HP3, HP4.

This certified tool comes standard with HP crushers since mid-2011.

The HP Cone crusher heads are adapted to the use of this tool since the end of 2010.

For machines delivered before this date, a head modification plan can be provided to accommodate use of this important safety tool.

Advantage of the lifting tool

Mechanically assembled, easy and quick to operate with a focus on safety.

Cone tightening tool

To eliminate the physical constraints on Service technicians during the process of tightening the cone locking bolt, Metso can propose a tool for hydraulic clamping.

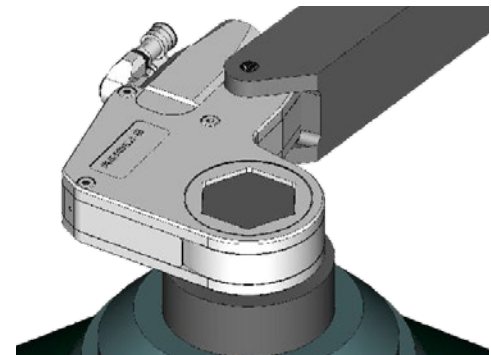
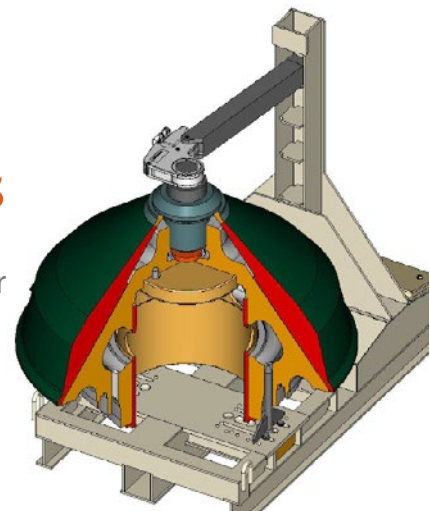
This tool consists of a mechanically welded support that is usable on all the crusher heads of the HP range (HP100 to HP500, HP3 to HP5 included).

Integral to the support are attached an arm, with a hydraulic wrench, and a socket to be positioned on the bolt to tighten.

A hydraulic unit connected to this assembly allows the clamping to the necessary torque setting.

Advantages of the tightening tool

Safe to operate with reduced physical constraints on Service technicians.



The +

The use of these tools saves time in maintenance, and facilitates these operations making them simpler and safer. ■