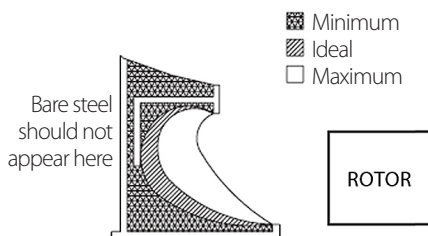


Rotor Barmac

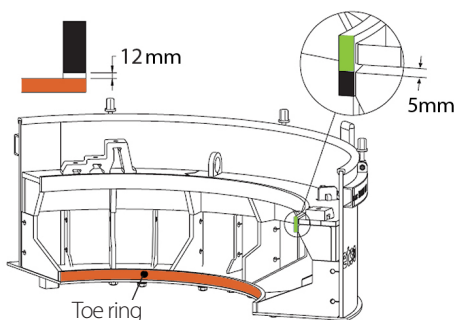
Some rules of use to increase the life of your Barmac rotor, the crusher with the clever "cascade" process.

The grinding chamber

The accumulation of materials inside the stone box must be sufficient to protect the entire structure.

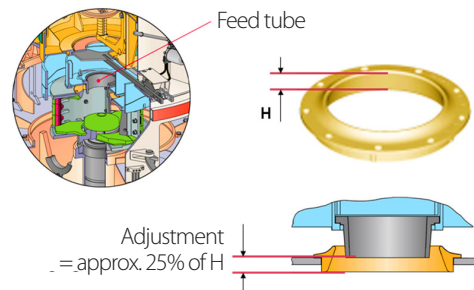


- Chamber gussets may be added if necessary.
- The base must be replaced when it is only 12 mm.
- The cavity crown must be replaced when its wear reaches 5 mm.



The adjustment of the feed tube

It is important to check that the feed tube is centered and positioned at the correct height in the eye of the feeding eye.



Adjustment of ejectors with interchangeable parts

The retention plate is used to adjust the wear height of the rotor ejectors.



If digging is too high :

Shorten by incremental steps the base of the retention plate (fig. A)

or

Extend the top of the retention plate in incremental steps. Make sure you keep the depth of material accumulation (fig. B)

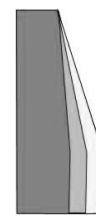


fig. A

or



fig. B

If digging is too low :

Extend the base of the retention plate in incremental steps (fig. C)

or

Shorten by incremental steps the top of the retention plate (fig. D)

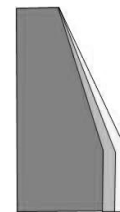


fig. C

or

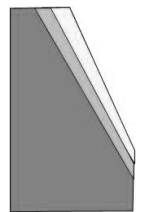


fig. D

Advice+

When shutting down the crusher: If the time between stopping power and stopping the rotor exceeds 5 minutes, air movement may reduce the stability of the build-up and increase the wear of the lining and gussets. ■