

ALL DIMENSIONS ARE ±0.06 EXCEPT AS NOTED

VALVE SIZE	A	B	C	D	E	G	H	J	K	L	M	S	T	U	V	W
150 LB																
2	7.00	3.89	6.00	4.75	2.00	5.05	14.00	5.50	3.09	0.75	4	0.69	0.68	4.33	1.26	1/2 -13
3	8.00	4.09	7.50	6.00	3.00	5.87	14.00	6.32	3.90	0.75	4	0.69	0.81	4.33	1.26	1/2 -13
4	9.00	4.48	9.00	7.50	4.00	8.32	19.94	8.78	5.51	0.75	8	0.97	1.00	5.10	1.26	1/2 -13
6	15.50	8.25	11.00	9.50	6.00	10.70	30.00	11.65	7.28	0.88	8	1.25	1.06	6.30	1.58	5/8 -11
300 LB																
2	8.50	4.99	6.50	5.00	2.00	5.05	14.00	5.50	3.09	0.75	8	0.69	0.94	4.33	1.26	1/2 -13
3	11.12	6.41	8.25	6.63	3.00	7.50	19.94	7.95	4.69	0.88	8	0.97	1.18	5.10	1.26	1/2 -13
4	12.00	6.59	10.00	7.88	4.00	9.08	30.00	10.03	5.66	0.88	8	1.25	1.31	6.30	1.58	5/8 -11

VALVE SIZE	R		Y *	
	150 LB	300 LB	150 LB	300 LB
2	1.24	1.24	1.05	1.2
3	1.24	1.78	1.05	1.3
4	1.78	1.78	1.3	1.7
6	1.78	—	1.7	—

VALVE SIZE	STUD & NUT QTY.	
	150 LB	300 LB
2	4	6
3	6	6
4	6	8
6	8	—

\* NOM. REF.

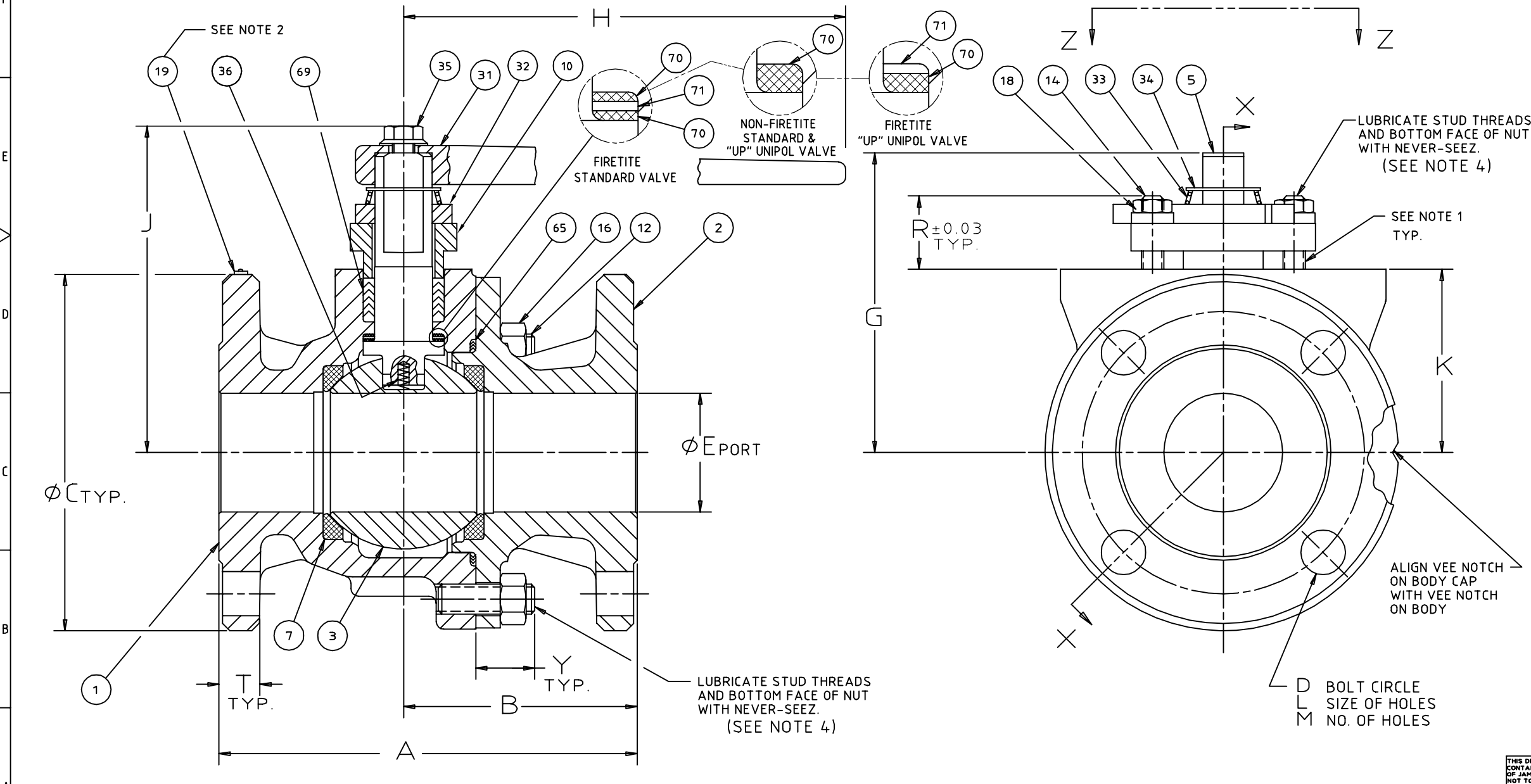
SUPERSEDING		SUPERSEDED BY			
LET	ECN	REVISION	DR.	APPVD.	DATE
L	43697	SEE ECN FOR CHANGES	BC	KAS	12 MAY 16

NOTES:

1. USE LOCTITE #271 ON STUD THREADS PER JSA-34.
2. ATTACH IDENTIFICATION TAG PER JMA-98.
3. FOR INSTALLATION, MAINTENANCE & OPERATING INSTRUCTIONS SEE IMO-270.
4. WHERE IDENTIFICATION APPEARS ON NUT OR STUD FACE ASSEMBLY WITH IDENTIFICATION ALWAYS VISIBLE.

ITEM NO.	PART NAME	QTY.
1	BODY	1
2	BODY CAP	1
3	BALL	1
5	STEM	1
7	SEAT	2
10	COMPRESSION PLATE	1
12	BODY STUD	XX
14	BONNET STUD	2
16	BODY STUD NUT	XX
18	BONNET STUD NUT	2
19	IDENTIFICATION TAG	1
31	HANDLE	1
32	INDICATOR STOP	1
33	SPRING	1
34	RETAINING RING	1
35	HANDLE SCREW	1
36	GROUNDING SPRING	1
37	"T" HANDLE ADAPTER	1
38	WASHER	1
39	STOP BUSHING	1
65	BODY GASKET	1
69	PACKING	1
70	STEM BEARING	×
71	SECONDARY STEM SEAL	1

\* QTY. 2 ON FIRETITE VALVES  
 QTY. 1 ON NON-FIRETITE & ALL UNIPOL VALVES  
 ++ FIRETITE VALVES ONLY

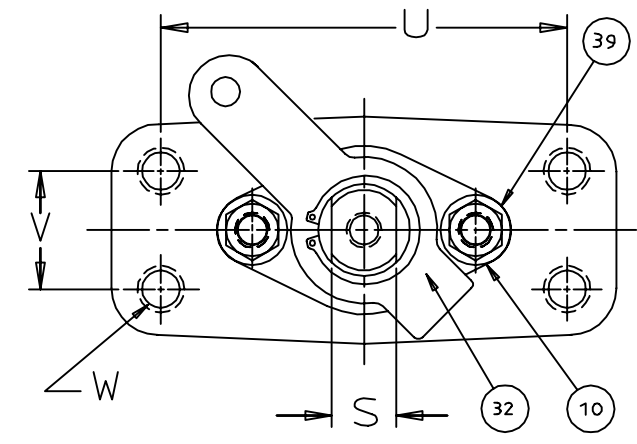
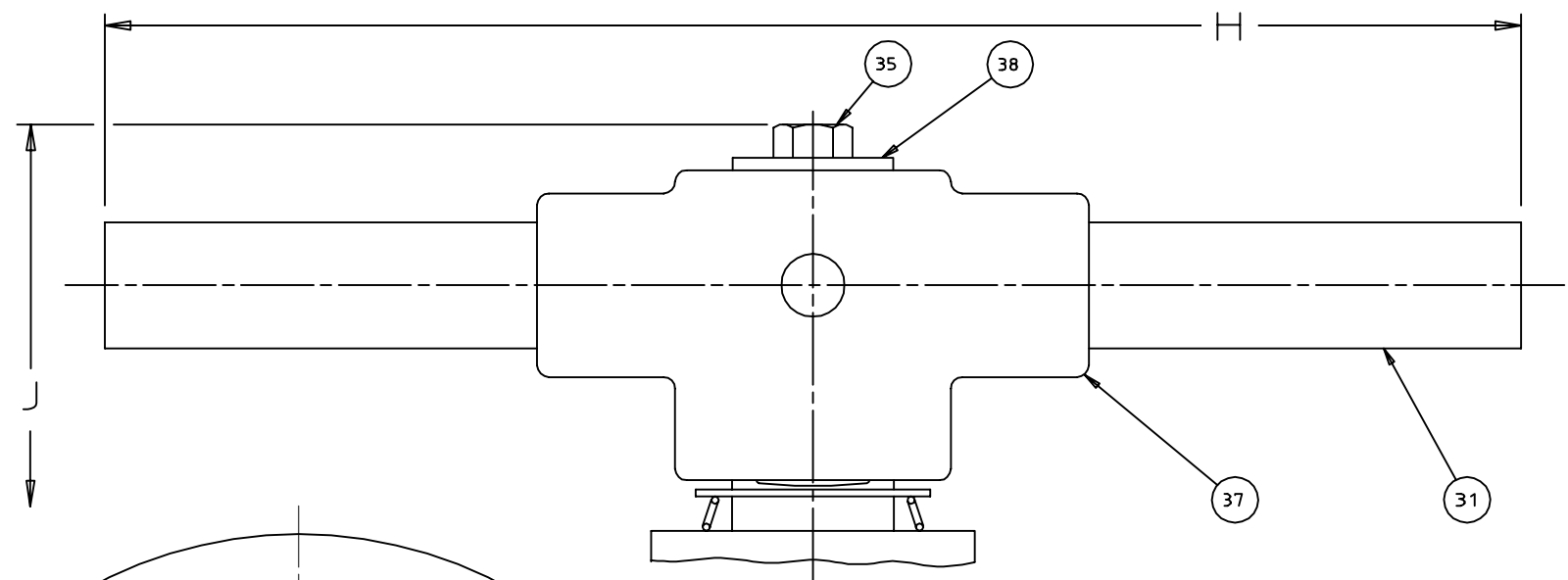


SECTION X-X

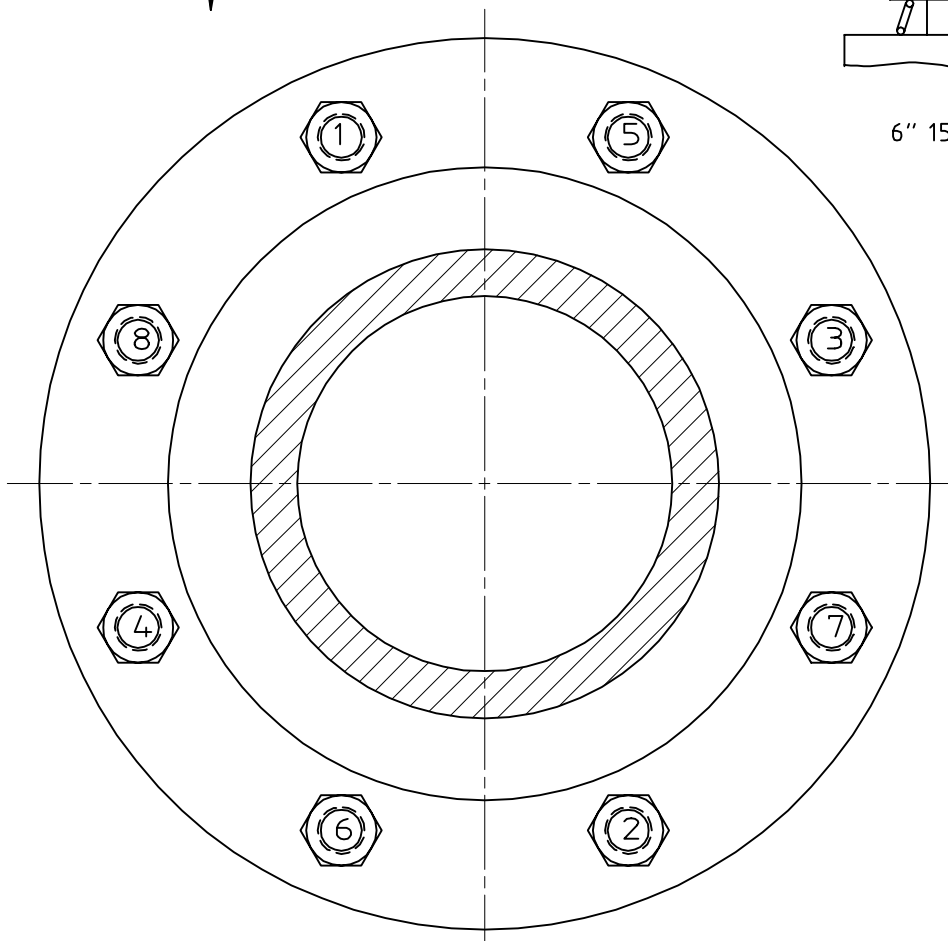
THIS DRAWING AND ALL INFORMATION CONTAINED HEREIN ARE THE PROPERTY OF JAMESBURY, INC. AND ARE NOT TO BE USED EXCEPT AS AUTHORIZED BY JAMESBURY, INC. UNLESS OTHERWISE NOTED DIMENSIONING, TOLERANCING, & DRAWING INTERPRETATION IS IN ACCORDANCE WITH ASME Y14.5M ANGLE = 45° FINISH = REMOVE SHARP EDGES AND CORNERS TO R2-R3 RADIUS OR CHAMFER, DIMENSIONS IN INCHES.

MATERIAL CODE	MATERIAL TYPE	MATERIAL SPECIFICATIONS	IDENT. MARK
JSA-1, JSA-10, JSA-17, JSA-34, JMA-98	DO NOT SCALE DRAWING	SCALE NONE	DATE 21 SEP 92
TITLE: ASSEMBLY SOFT SEATED VALVE 2"-6" 150LB & 2"-4" 300LB MOD. B		DRAWN GFW	DATE 21 SEP 92
JAMESBURY A NELES AUTOMATION COMPANY WORCESTER MA., U.S.A.		APPVD. AD	DATE 21 SEP 92
SIZE D	DWG NO 5104	REV L	

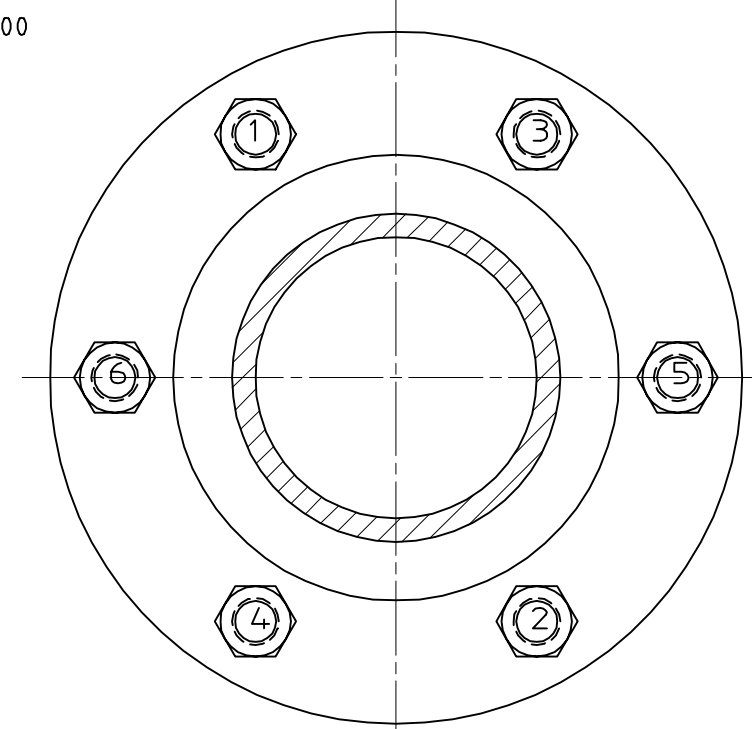
SUPERSEDING		SUPERSEDED BY			
LET	ECH	REVISION	DR.	APPVD.	DATE
A	14681		JJK	ALD	27APR93
B	14864		GFW	AD	15 OCT 93
C	15038		JJK	AD	20EC93
D	15943		TEA	MJD	01AUG96
E	16393		WRD		1-3-97
F	17419		BA	SAL	29 JUN 99
G	17697		JMF	A.O.L.	5/17/00
H	18034		BA	PJD	23 MAR 01
J	18182		BA	PJD	2 OCT 01
K	18850		BA	DRE	31 MAR 04
L	43697		BC	KAS	12 MAY 16



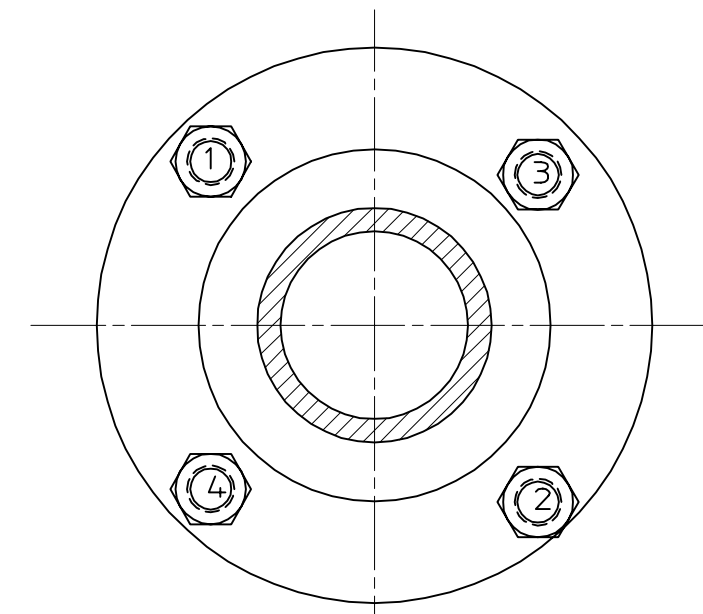
VIEW Z-Z  
4" 1/6" -150 & 3" 1/4" -300



BODY FLANGE  
NUT TIGHTENING SEQUENCE  
6" 150 LB  
4" 300 LB



BODY FLANGE  
NUT TIGHTENING SEQUENCE  
3" & 4" 150 LB  
2" & 3" 300 LB



BODY FLANGE  
NUT TIGHTENING SEQUENCE  
2" 150 LB

BODY JOINT FLANGE ASSEMBLY TORQUE (FT.-LBS.)

MAT'L. CODE	MAT'L. SPEC.	MAT'L. IDENT. STUD	MAT'L. IDENT. NUT	2"-150/300 & 3"-150 1/2-13 TH'D.	3"-300 & 4"-150 5/8-11 TH'D.	4"-300 & 6"-150 3/4-10 TH'D.
19	A-193 GR. B7M	B7M	2HM OR 2HMB	55-65	125-145	190-220
20	A-193 GR. B7	B7	2H OR 2HB	75-85	160-190	250-290
31	A-193 GR. B8	B8, B8C OR B8T	8B, 8CB OR 8TB	70-85	155-180	235-275
71	QQ-N-286	K	K	67-75	140-160	210-245

UNLESS OTHERWISE NOTED DIMENSIONS, TOLERANCING, & DRAWING INTERPRETATION IS IN ACCORDANCE WITH ANSI Y32.5

ANGLES = 45° FINISH = REMOVE SHARP EDGES AND CORNERS TO A1-43 RADIUS OR CHAMFER, DIMENSIONS IN INCHES.

MATERIAL CODE	MATERIAL TYPE	MATERIAL SPECIFICATIONS	IDENT. MARK
	NAME FROM PART NO.	DO NOT SCALE DRAWING	SCALE NONE
TITLE:		ASSEMBLY	DRAWN DATE
		SOFT SEATED VALVE	GFW 21 SEP 92
		2"-6" 150LB & 2"-4" 300LB MOD. B	APPVD. DATE
			AD 21 SEP 92

**JAMESBURY**  
VALVE CONTROLS GROUP  
WORCESTER MA., U.S.A.

SIZE D DWG NO 5104 REV L