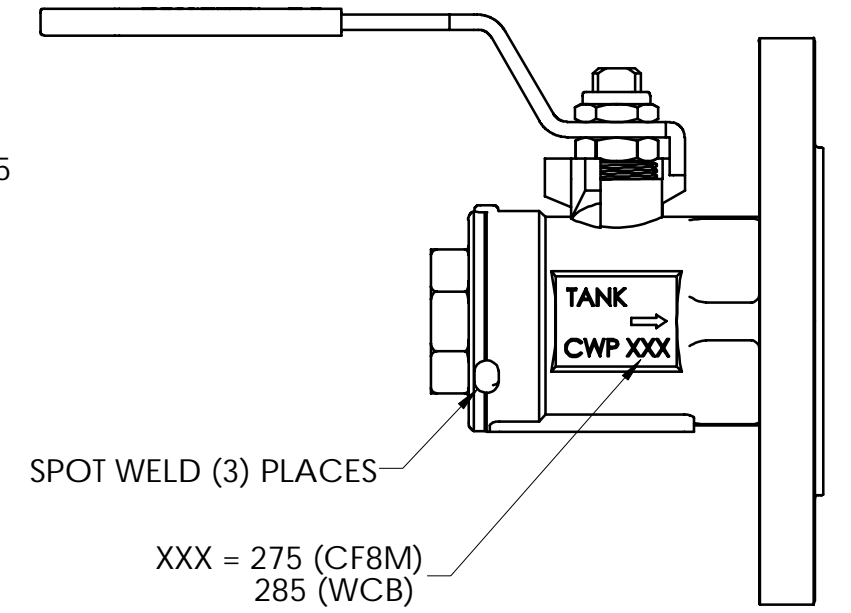
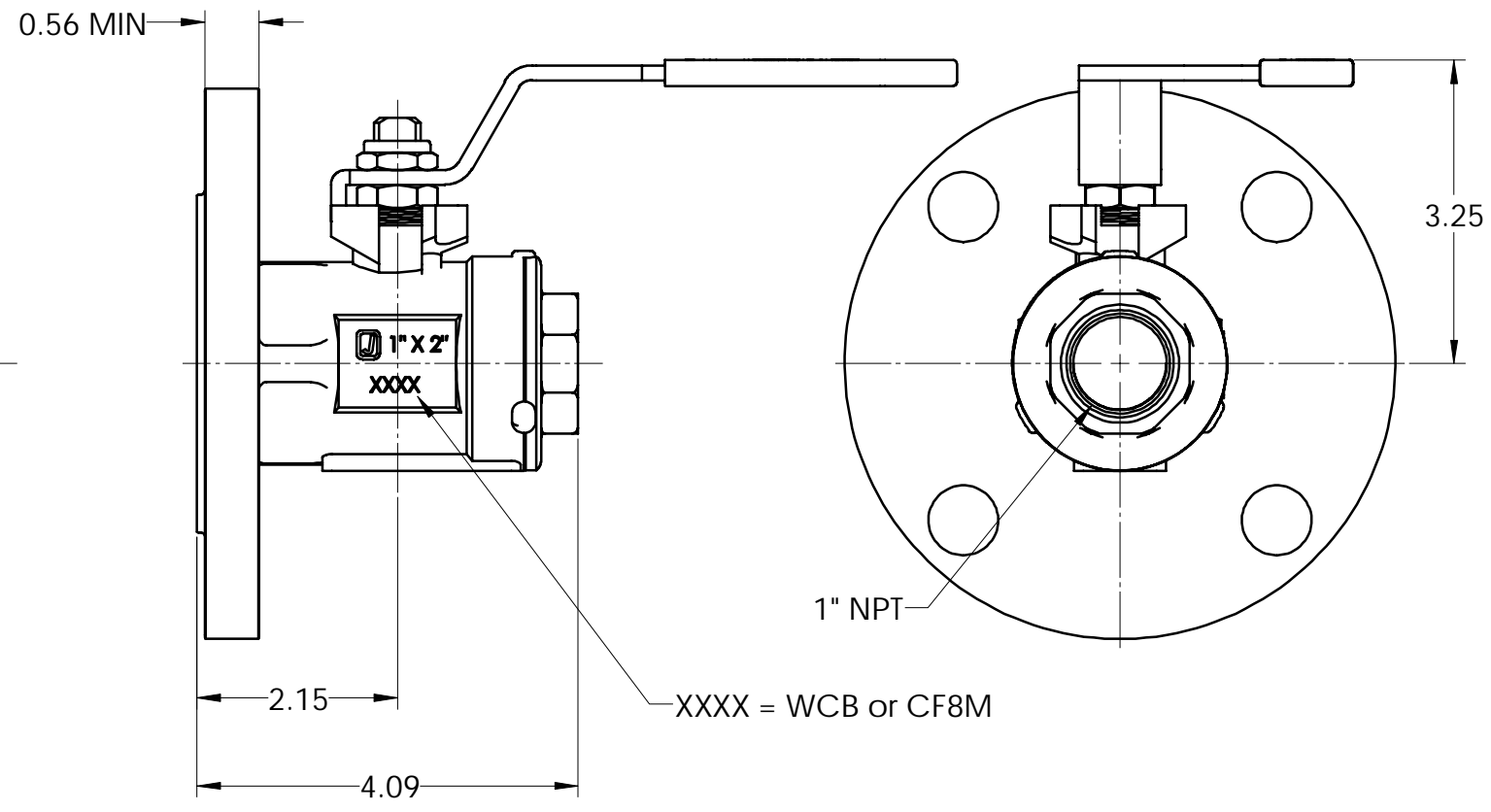
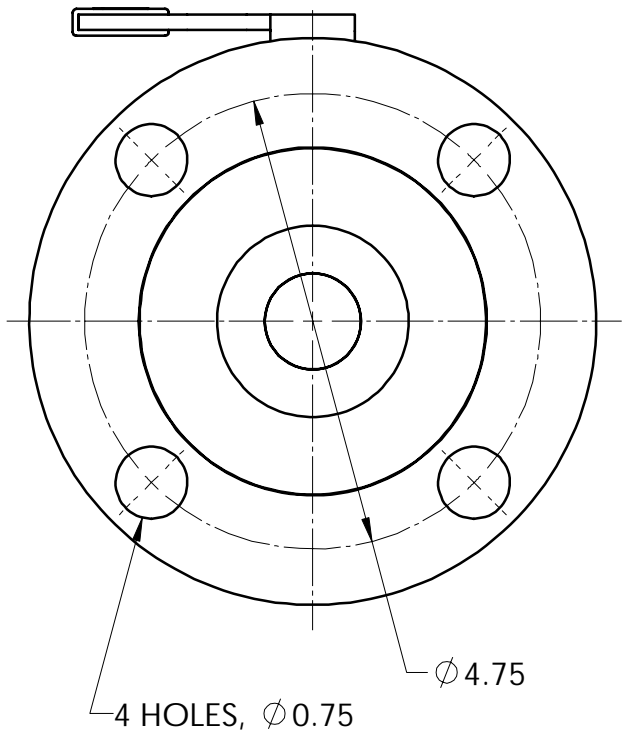
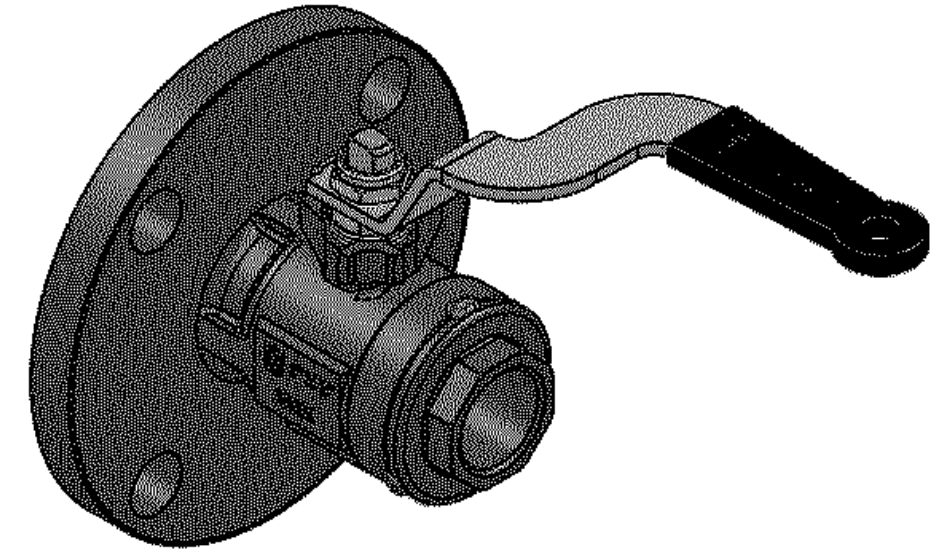
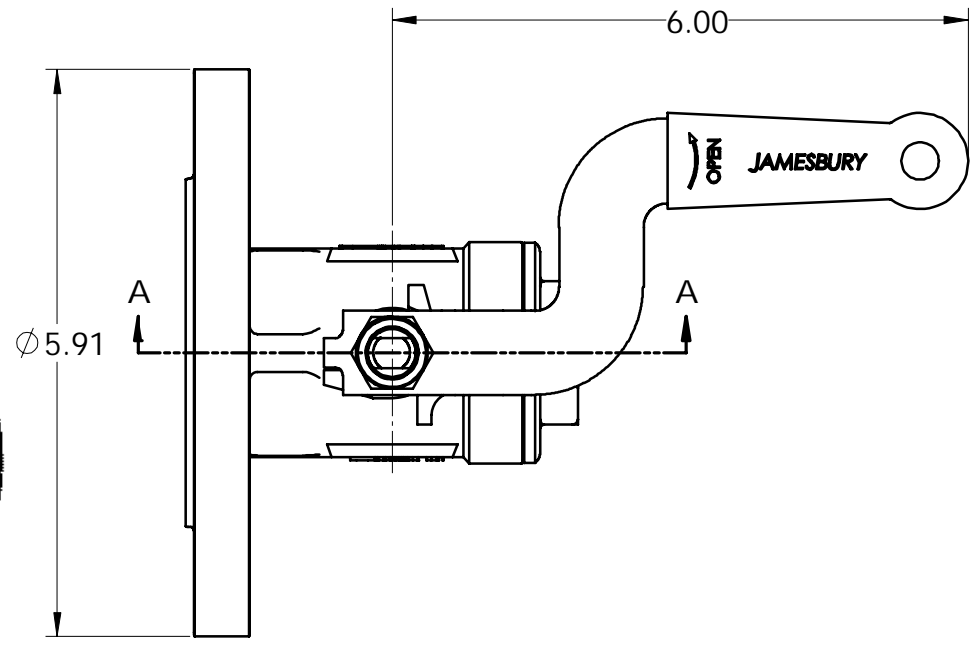
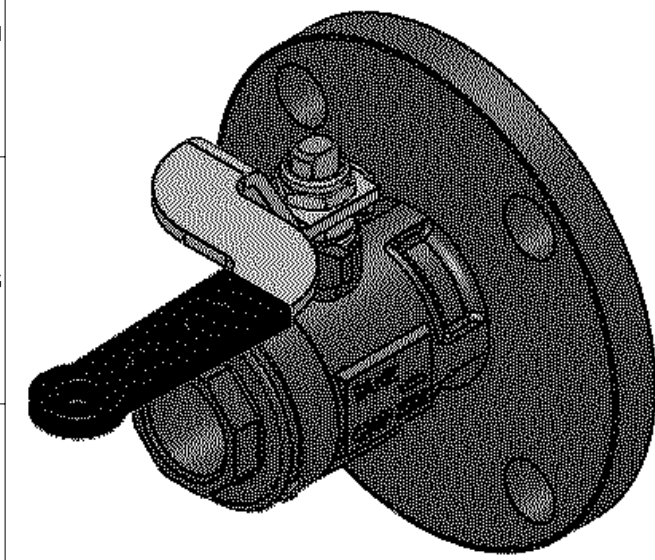


LET	ECN	REVISION	DRAWN	APPROVED	DATE
		2			



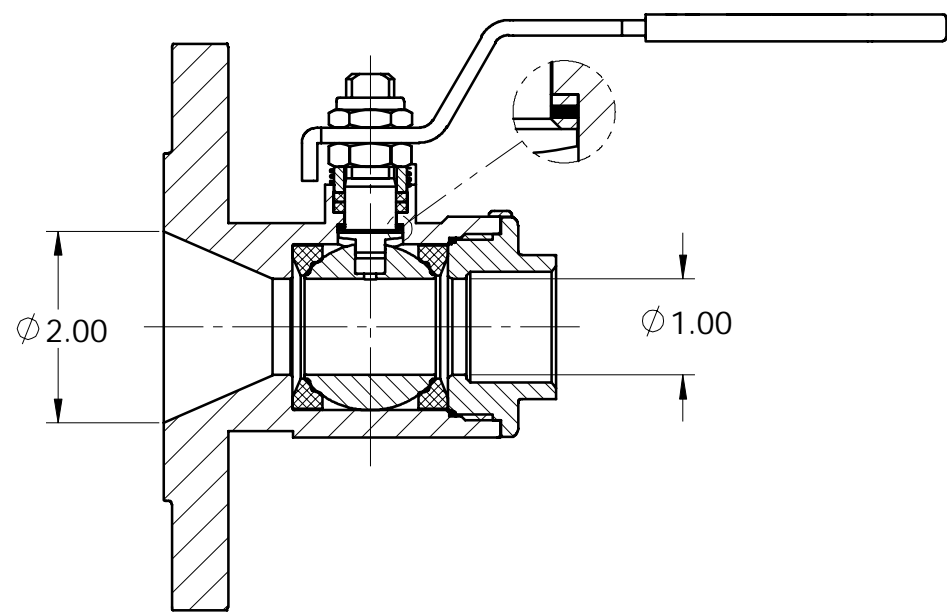
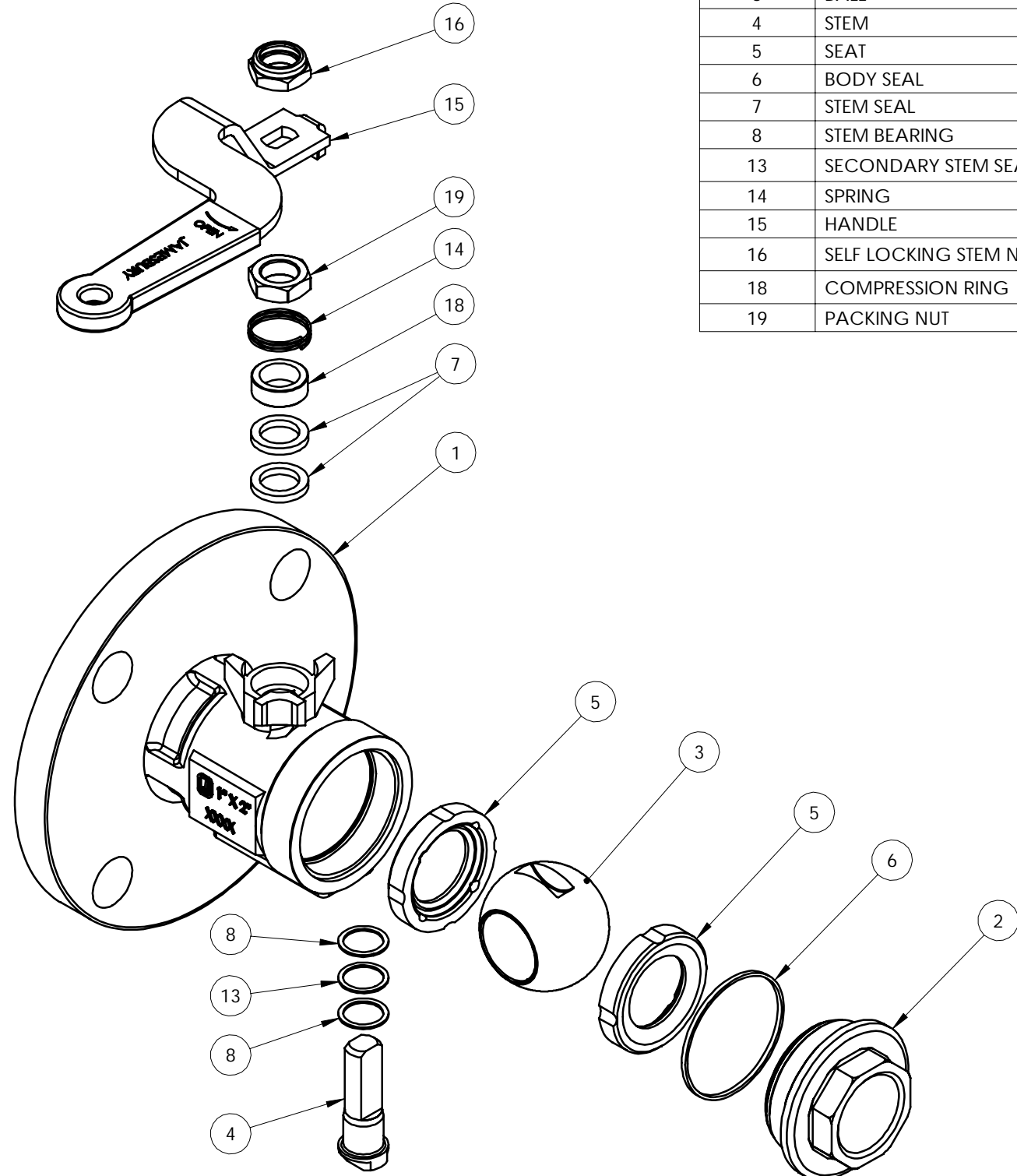
XXX = 275 (CF8M)
285 (WCB)

APPROXIMATE ASSEMBLY WEIGHT: 7 LBS.

THIS DRAWING AND ALL INFORMATION CONTAINED HEREIN ARE THE PROPERTY OF METSO AUTOMATION USA, INC. AND ARE NOT TO BE USED EXCEPT AS AUTHORIZED BY METSO AUTOMATION USA, INC.		SPECIFICATIONS TO BE USED IN CONJUNCTION WITH THIS DRAWING		MAKE FROM PART NO.	DO NOT SCALE DRAWING	SCALE 1:1
UNLESS OTHERWISE NOTED DIMENSIONING, TOLERANCING, & DRAWING INTERPRETATION IS IN ACCORDANCE WITH ASME Y14.5M		TITILE: ASSEMBLY 1" X 2" 6FRF RAILROAD VALVE		DRAWN PJD	DATE 3/19/13	APPVD. DATE 3/19/13
ANGLES = ±5° FINISH REMOVE SHARP EDGES AND CORNERS TO .02 - .03 RADIUS OR CHAMFER, DIMENSIONS IN INCHES.		METSO AUTOMATION USA, INC. SHREWSBURY, MASSACHUSETTS		SIZE D	DWG NO 5541	REV 0

12 11 10 9 8 7 6 5 4 3 2 1

ITEM NO.	PART NAME	QTY
1	BODY	1
2	BODY CAP	1
3	BALL	1
4	STEM	1
5	SEAT	2
6	BODY SEAL	1
7	STEM SEAL	2
8	STEM BEARING	2
13	SECONDARY STEM SEAL	1
14	SPRING	1
15	HANDLE	1
16	SELF LOCKING STEM NUT	1
18	COMPRESSION RING	1
19	PACKING NUT	1



SECTION A-A

<small>THIS DRAWING AND ALL INFORMATION CONTAINED HEREIN ARE THE PROPERTY OF METSO AUTOMATION USA, INC. AND ARE NOT TO BE USED EXCEPT AS AUTHORIZED BY METSO AUTOMATION USA, INC.</small> <small>UNLESS OTHERWISE NOTED DIMENSIONING, TOLERANCING, & DRAWING INTERPRETATION IS IN ACCORDANCE WITH ASME Y14.5M</small> <small>ANGLES = ±5° FINISH $\sqrt{250}$</small> <small>REMOVE SHARP EDGES AND CORNERS TO .02 - .03 RADIUS OR CHAMFER, DIMENSIONS IN INCHES.</small>	<small>SPECIFICATIONS TO BE USED IN CONJUNCTION WITH THIS DRAWING</small>	<small>MAKE FROM PART NO.</small>	<small>DO NOT SCALE DRAWING</small>	<small>SCALE</small> 1:1
	<small>TITLE:</small> ASSEMBLY 1" X 2" 6FRF RAILROAD VALVE	<small>DRAWN</small> PJD	<small>DATE</small> 3/19/13	<small>APPVD.</small> KAS
METSO AUTOMATION USA, INC. <small>SHREWSBURY, MASSACHUSETTS</small>	<small>SIZE</small> D	<small>DWG NO</small> 5541	<small>REV</small> 0	<small>SHEET 2 OF 2</small>

12 11 10 9 8 7 6 5 4 3 2 1