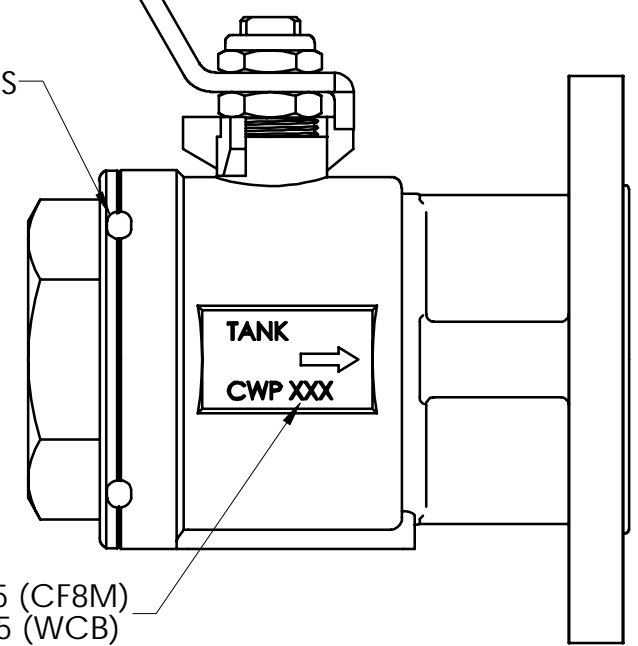


SPOT WELD (4) PLACES

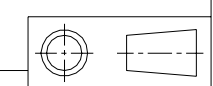


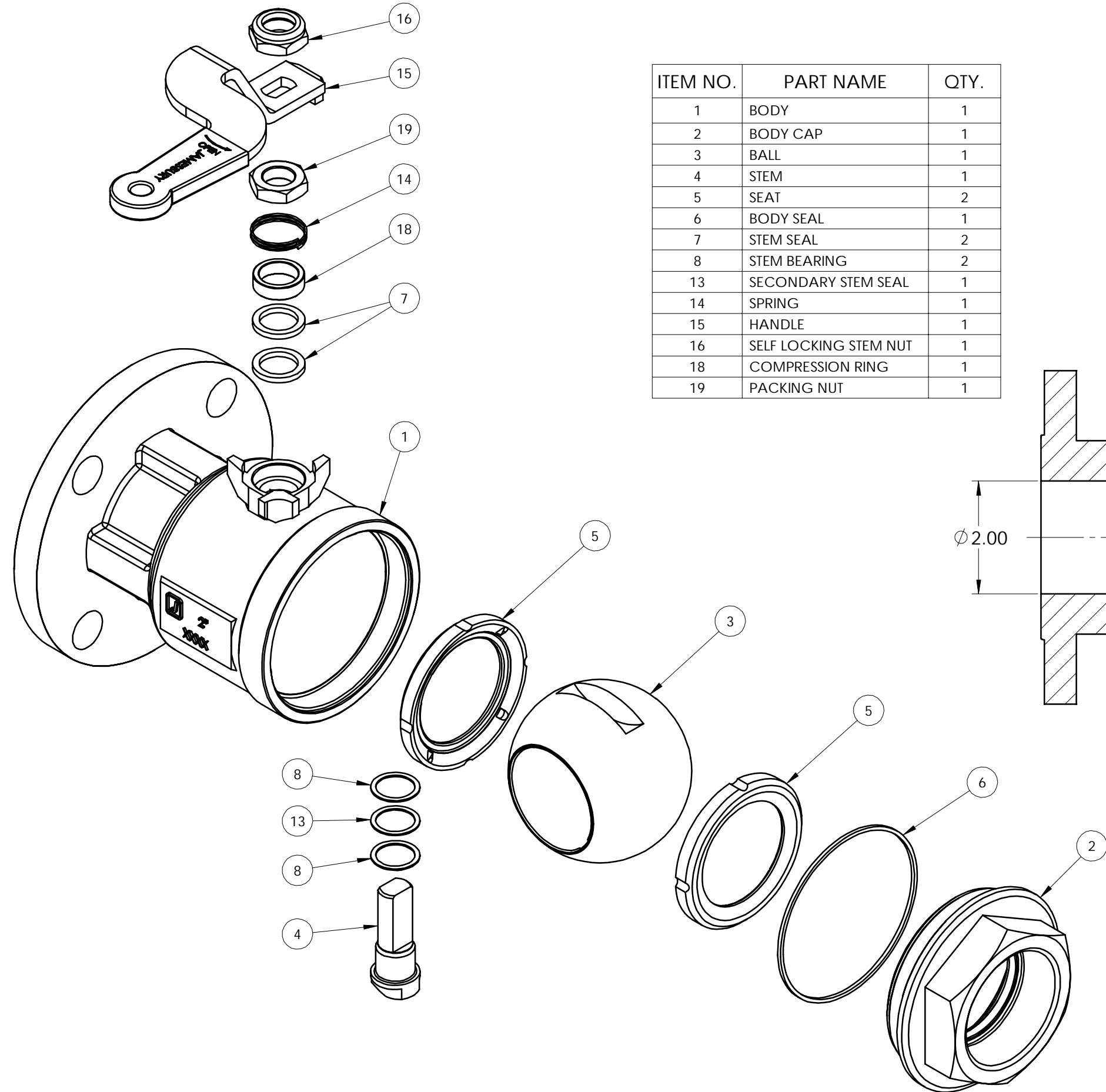
XXX = 275 (CF8M)  
285 (WCB)

APPROXIMATE ASSEMBLY WEIGHT: 13.5 LBS.

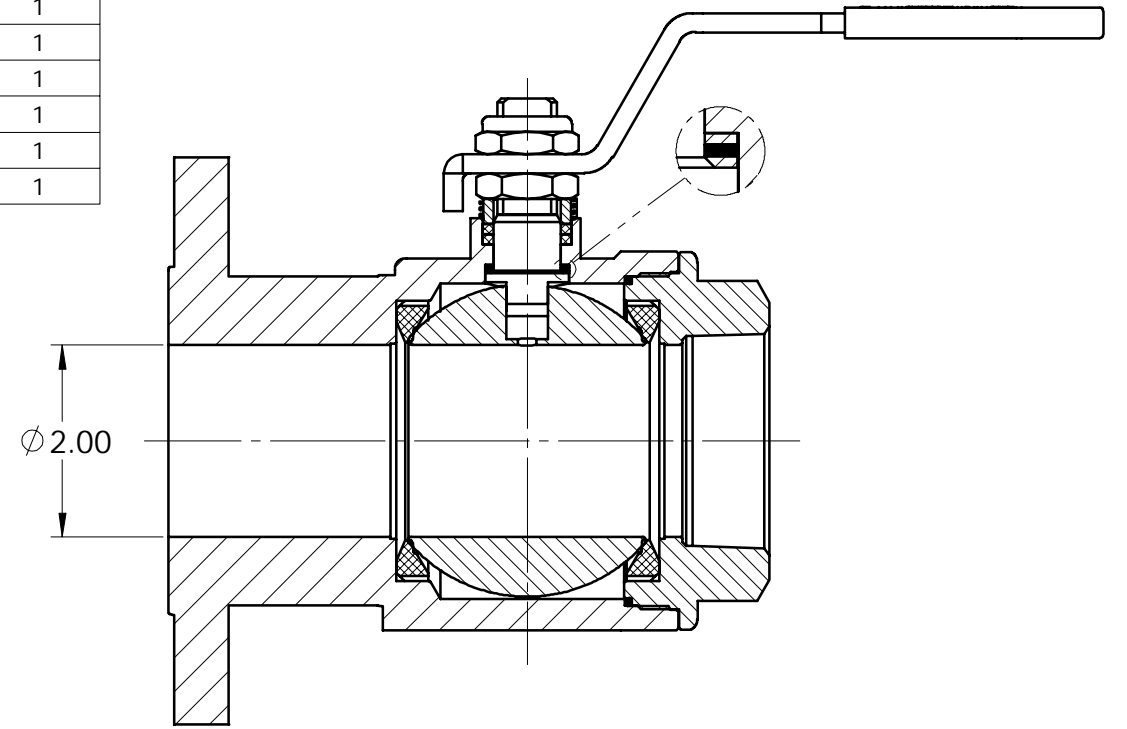
XXXX = WCB or CF8M

<small>THIS DRAWING AND ALL INFORMATION CONTAINED HEREIN ARE THE PROPERTY OF METSO AUTOMATION USA, INC. AND ARE NOT TO BE USED EXCEPT AS AUTHORIZED BY METSO AUTOMATION USA, INC.</small> <small>UNLESS OTHERWISE NOTED DIMENSIONING, TOLERANCING, &amp; DRAWING INTERPRETATION IS IN ACCORDANCE WITH ASME Y14.5M</small> <small>ANGLES = ±5° FINISH REMOVE SHARP EDGES AND CORNERS TO .02 - .03 RADIUS OR CHAMFER, DIMENSIONS IN INCHES.</small>	<small>SPECIFICATIONS TO BE USED IN CONJUNCTION WITH THIS DRAWING</small>	<small>MAKE FROM PART NO.</small>	<small>DO NOT SCALE DRAWING</small>	<small>SCALE</small> 1:1
	<small>TITLE:</small> <b>ASSEMBLY 2" 6FRF RAILROAD VALVE</b>	<small>DRAWN</small> PJD	<small>DATE</small> 3/19/13	<small>APPVD.</small> KAS
<small>SIZE</small> D	<small>DWG NO.</small> 5542	<small>REV</small> 0	<small>SHEET 1 OF 2</small>	





ITEM NO.	PART NAME	QTY.
1	BODY	1
2	BODY CAP	1
3	BALL	1
4	STEM	1
5	SEAT	2
6	BODY SEAL	1
7	STEM SEAL	2
8	STEM BEARING	2
13	SECONDARY STEM SEAL	1
14	SPRING	1
15	HANDLE	1
16	SELF LOCKING STEM NUT	1
18	COMPRESSION RING	1
19	PACKING NUT	1



SECTION A-A

THIS DRAWING AND ALL INFORMATION CONTAINED HEREIN ARE THE PROPERTY OF METSO AUTOMATION USA, INC. AND ARE NOT TO BE USED EXCEPT AS AUTHORIZED BY METSO AUTOMATION USA, INC.

UNLESS OTHERWISE NOTED DIMENSIONING, TOLERANCING, & DRAWING INTERPRETATION IS IN ACCORDANCE WITH ASME Y14.5M

ANGLES = ±5° FINISH  $\sqrt{250}$   
REMOVE SHARP EDGES AND CORNERS TO .02 - .03 RADIUS OR CHAMFER, DIMENSIONS IN INCHES.

SPECIFICATIONS TO BE USED IN CONJUNCTION WITH THIS DRAWING	MAKE FROM PART NO.	DO NOT SCALE DRAWING	SCALE 1:1
TITLE: <b>ASSEMBLY 2" 6FRF RAILROAD VALVE</b>	DRAWN PJD	DATE 3/19/13	APPVD. KAS
DATE 3/19/13	REV 0	SIZE D	DWG NO 5542

**METSO AUTOMATION USA, INC.**  
SHREWSBURY, MASSACHUSETTS

SHEET 2 OF 2