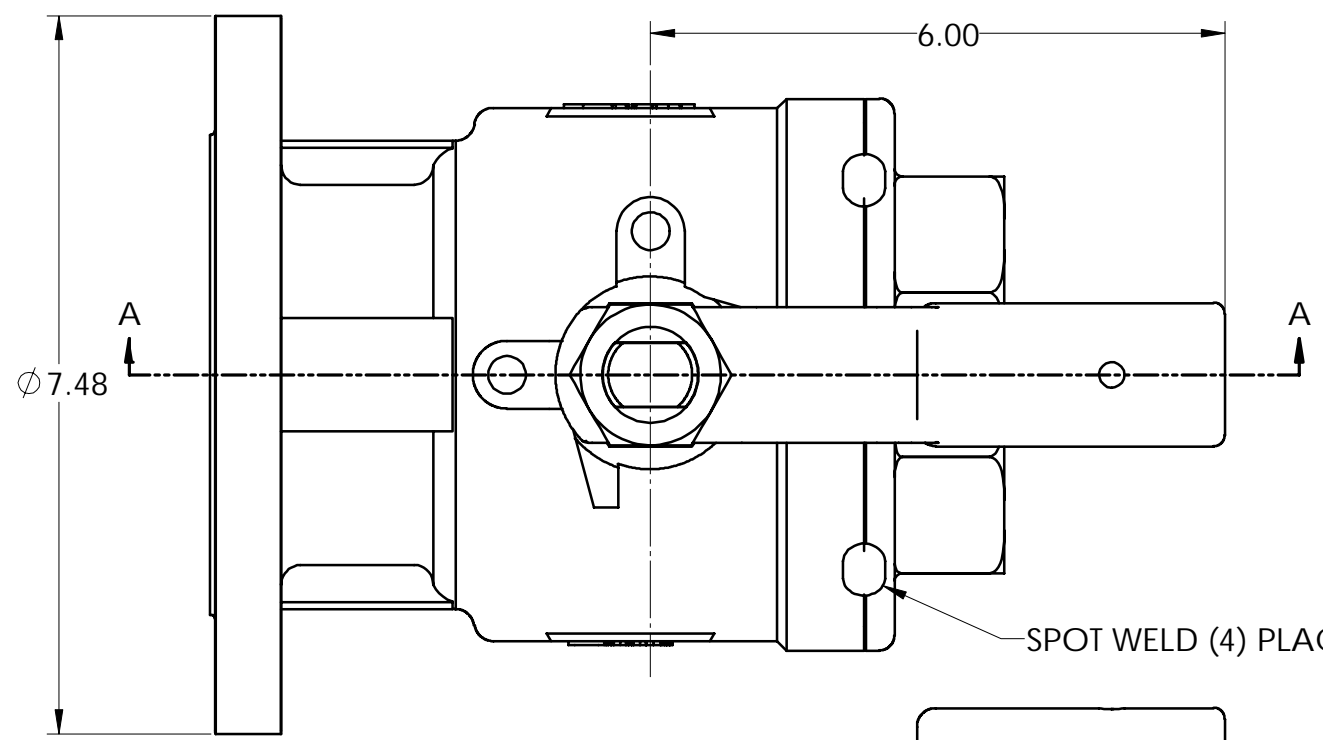
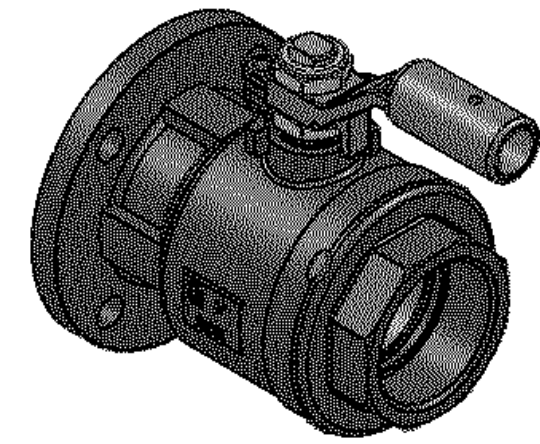
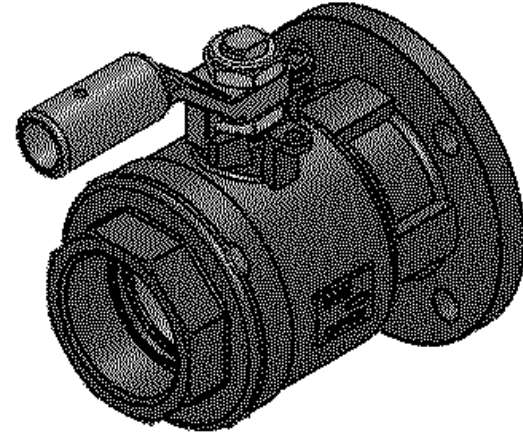
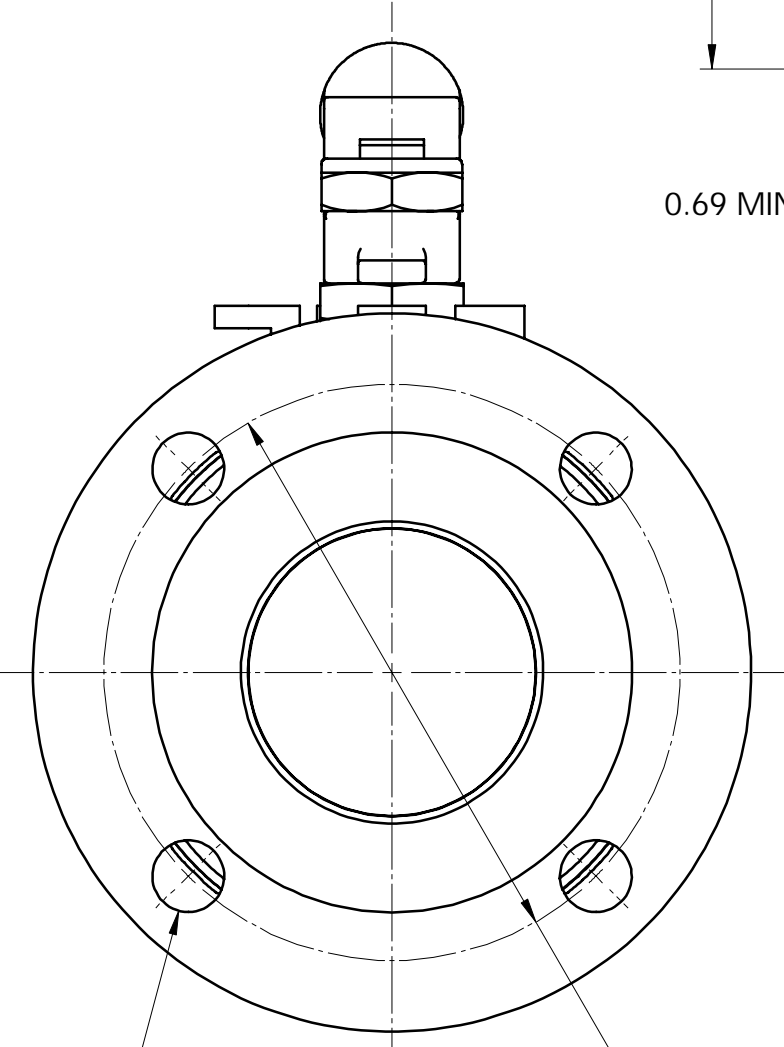


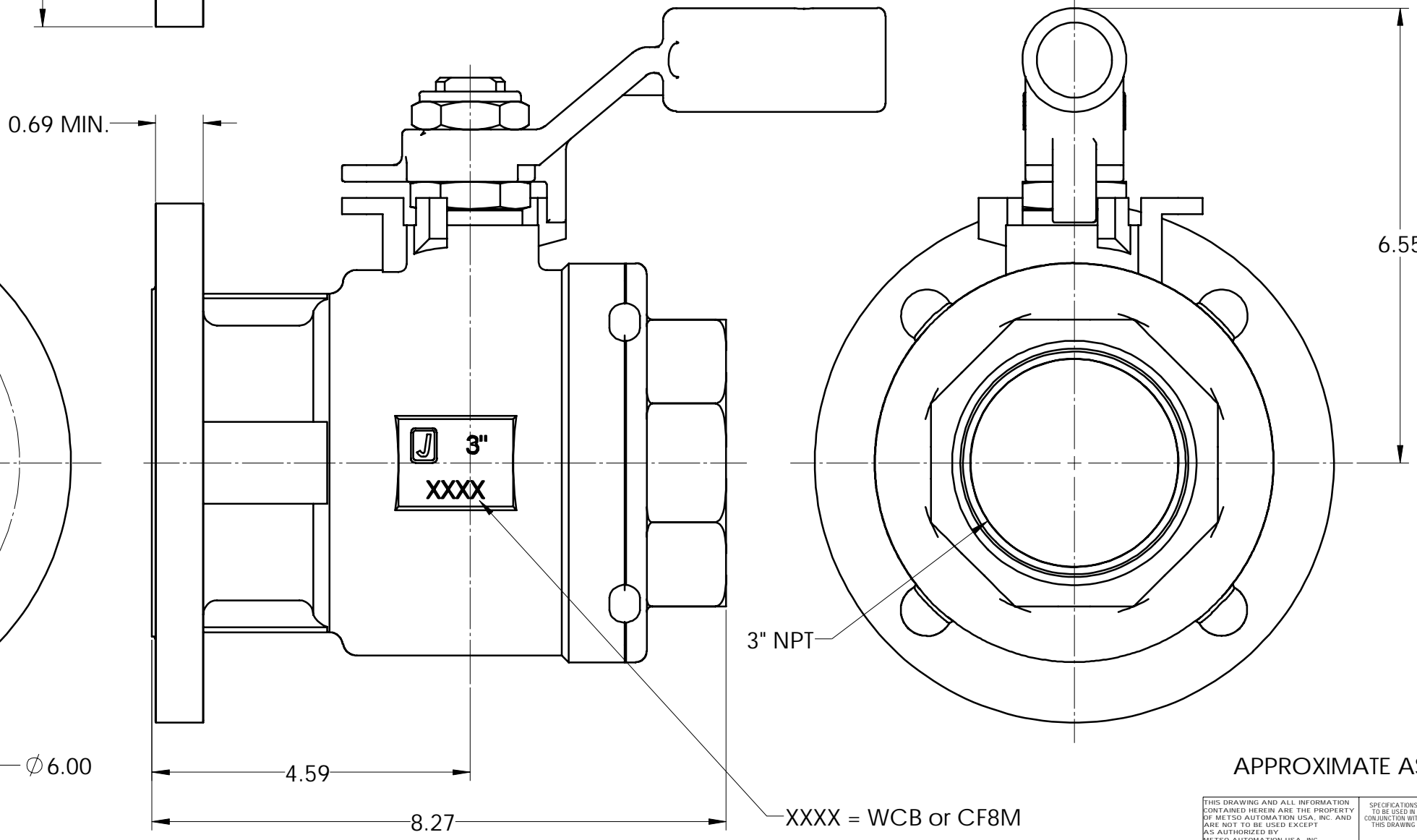
LET	ECN	REVISION	DRAWN	APPROVED	DATE
-----	-----	----------	-------	----------	------



SPOT WELD (4) PLACES

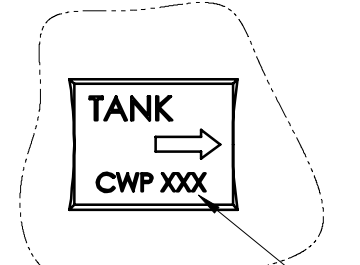


4 HOLES, $\phi 0.75$
 $\phi 6.00$



3" NPT

XXXX = WCB or CF8M



CAST MARKINGS ON OPPOSITE SIDE OF BODY

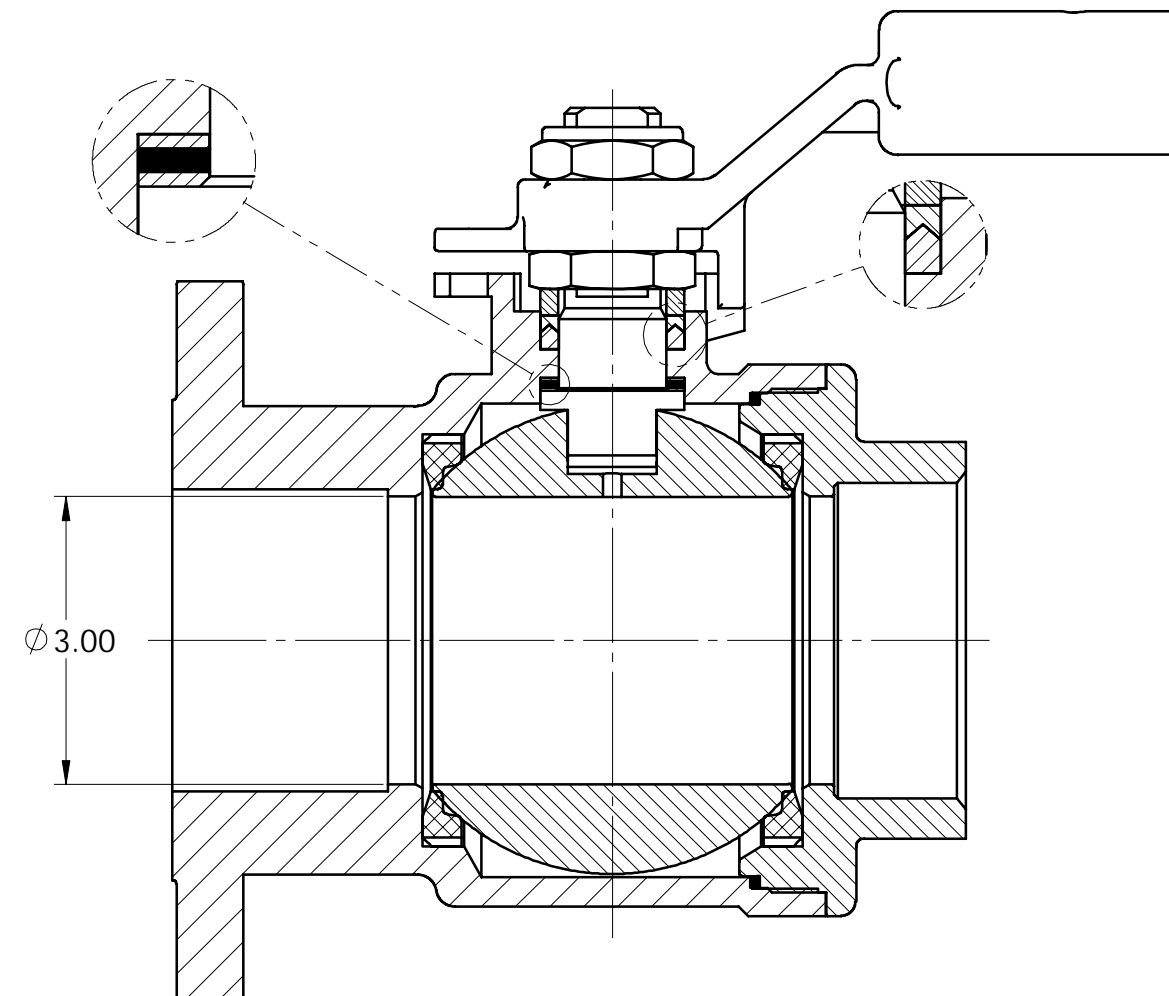
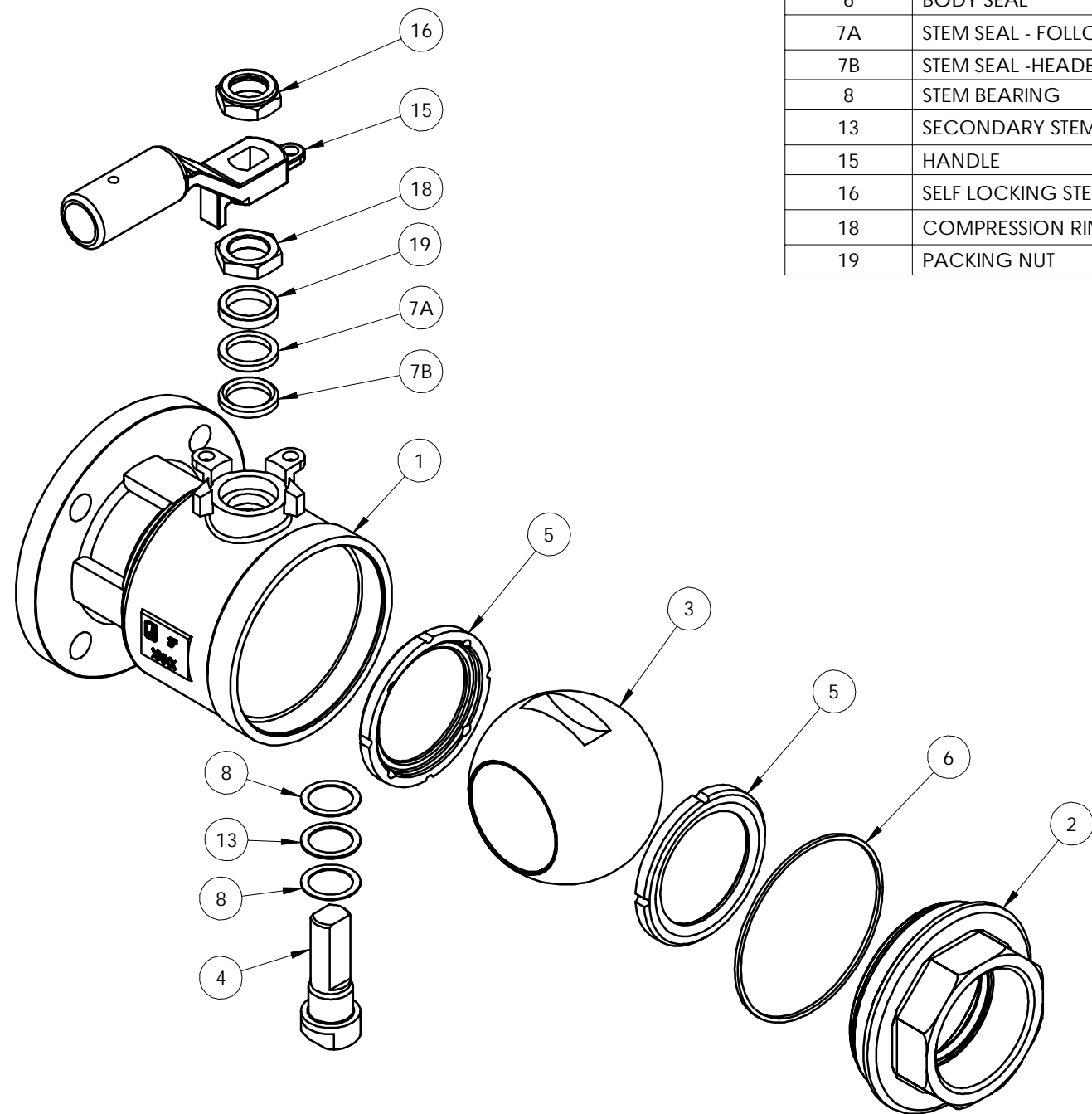
XXX = 275 (CF8M)
285 (WCB)

APPROXIMATE ASSEMBLY WEIGHT: 35 LBS.

<small>THIS DRAWING AND ALL INFORMATION CONTAINED HEREIN ARE THE PROPERTY OF METSO AUTOMATION USA, INC. AND ARE NOT TO BE USED EXCEPT AS AUTHORIZED BY METSO AUTOMATION USA, INC.</small> <small>UNLESS OTHERWISE NOTED DIMENSIONING, TOLERANCING, & DRAWING INTERPRETATION IS IN ACCORDANCE WITH ASME Y14.5M</small> <small>ANGLES = ±5° FINISH REMOVE SHARP EDGES AND CORNERS TO .02 - .03 RADIUS OR CHAMFER, DIMENSIONS IN INCHES.</small>	<small>SPECIFICATIONS TO BE USED IN CONJUNCTION WITH THIS DRAWING</small>	<small>MAKE FROM PART NO.</small>	<small>DO NOT SCALE DRAWING</small>	<small>SCALE</small> 1:1
	<small>TITLE:</small> ASSEMBLY 3" 6FRF RAILROAD VALVE	<small>DRAWN</small> PJD	<small>DATE</small> 3/19/13	<small>APPV.</small> KAS
<small>SIZE</small> D	<small>DWG NO.</small> 5543	<small>REV</small> 0	<small>SHEET 1 OF 2</small>	

METSO AUTOMATION USA, INC.
SHREWSBURY, MASSACHUSETTS

ITEM NO.	PART NAME	QTY.
1	BODY	1
2	BODY CAP	1
3	BALL	1
4	STEM	1
5	SEAT	2
6	BODY SEAL	1
7A	STEM SEAL - FOLLOWER	1
7B	STEM SEAL - HEADER	1
8	STEM BEARING	2
13	SECONDARY STEM SEAL	1
15	HANDLE	1
16	SELF LOCKING STEM NUT	1
18	COMPRESSION RING	1
19	PACKING NUT	1



SECTION A-A

<small>THIS DRAWING AND ALL INFORMATION CONTAINED HEREIN ARE THE PROPERTY OF METSO AUTOMATION USA, INC. AND ARE NOT TO BE USED EXCEPT AS AUTHORIZED BY METSO AUTOMATION USA, INC.</small> <small>UNLESS OTHERWISE NOTED DIMENSIONING, TOLERANCING, & DRAWING INTERPRETATION IS IN ACCORDANCE WITH ASME Y14.5M</small> <small>ANGLES = ±5° FINISH $\sqrt{250}$</small> <small>REMOVE SHARP EDGES AND CORNERS TO .02 - .03 RADIUS OR CHAMFER, DIMENSIONS IN INCHES.</small>	<small>SPECIFICATIONS TO BE USED IN CONJUNCTION WITH THIS DRAWING</small>	<small>MAKE FROM PART NO.</small>	<small>DO NOT SCALE DRAWING</small>	<small>SCALE</small> 1:1
	<small>TITLE:</small> ASSEMBLY 3" 6FRF RAILROAD VALVE	<small>DRAWN</small> PJD	<small>DATE</small> 3/19/13	<small>APPVD.</small> KAS
METSO AUTOMATION USA, INC. <small>SHREWSBURY, MASSACHUSETTS</small>	<small>SIZE</small> D	<small>DWG NO</small> 5543	<small>REV</small> 0	