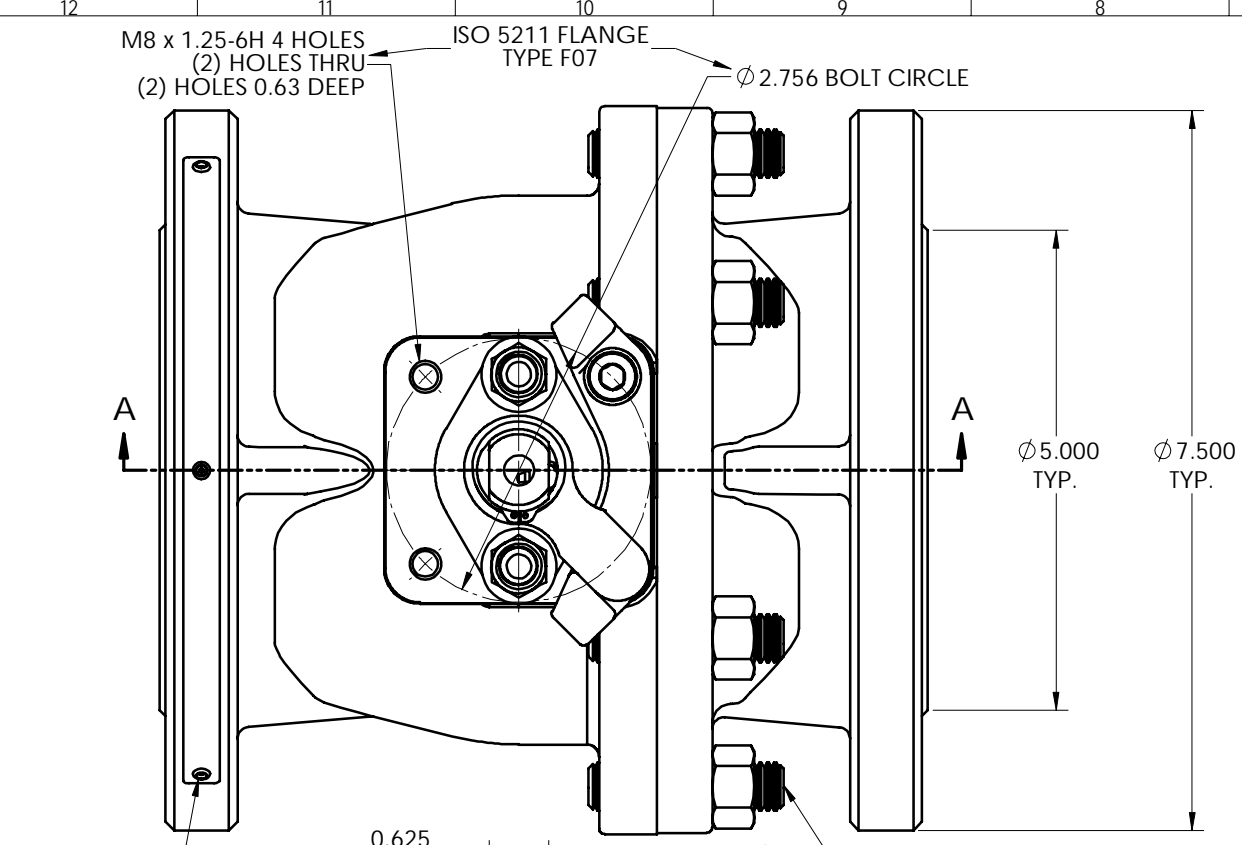
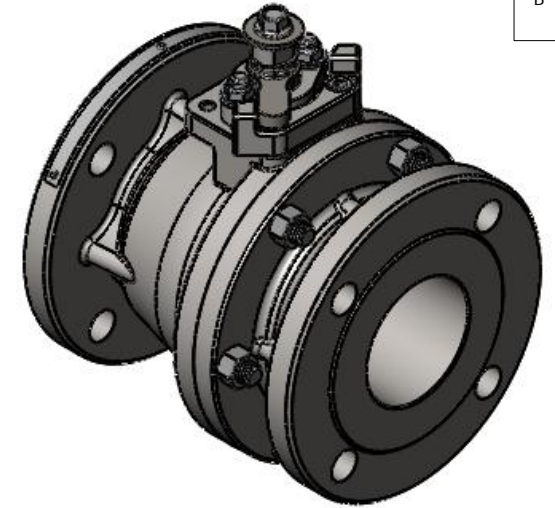
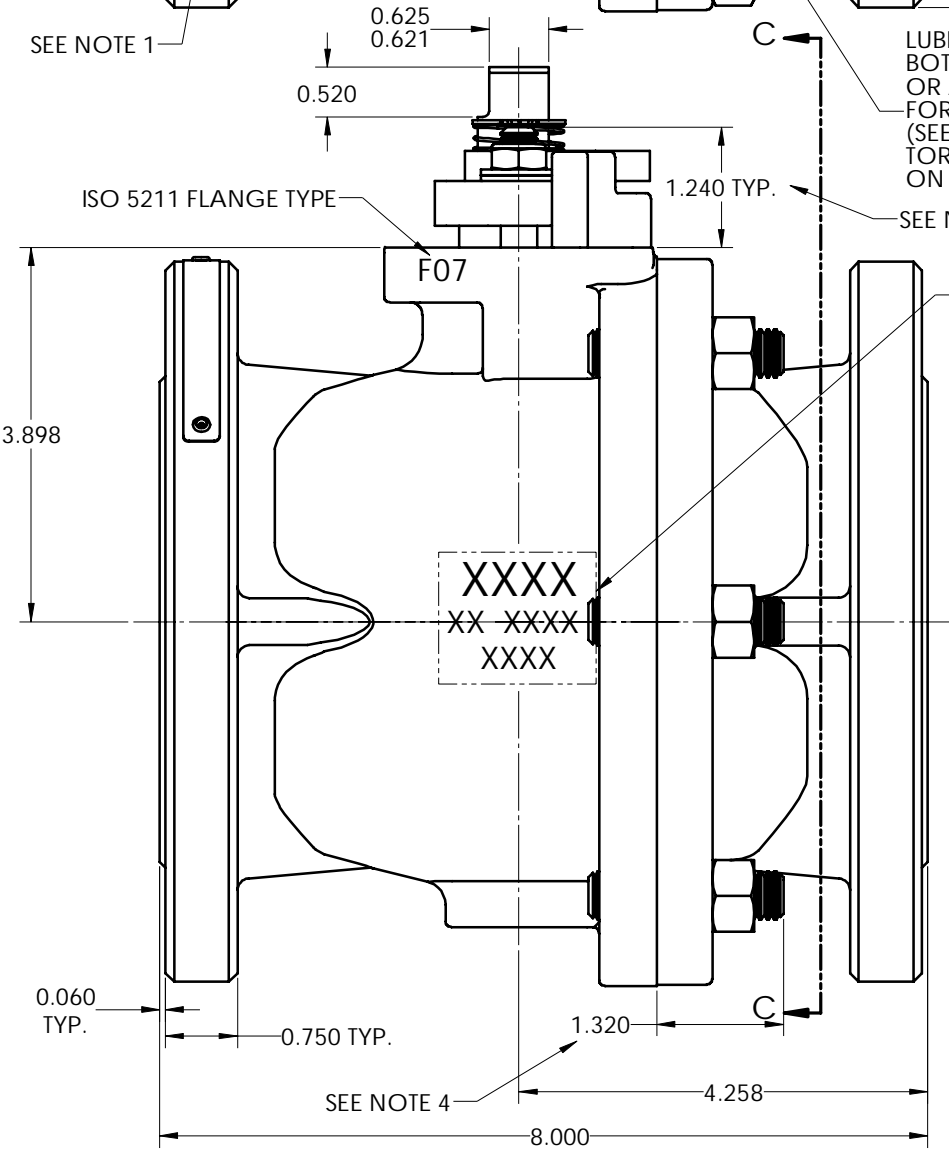


LET	ECN	REVISION	DRAWN	APPROVED	DATE
A	43653	REVISED NOTE 5 ADDED (ESNA) TO ITEM 30	PJD	KAS	4/13/16
B	43764	REMOVED METRIC DIMENSIONS REVISED NOTE 5 ADDED NOTE 6	PJD	KAS	6/10/16

- NOTES:
- ATTACH IDENTIFICATION TAG PER JMA-98.
 - FOR INSTALLATION, MAINTENANCE & OPERATING INSTRUCTIONS SEE IMO-R29.
 - WHERE IDENTIFICATION APPEARS ON NUT OR STUD FACE, ASSEMBLE WITH IDENTIFICATION ALWAYS VISIBLE.
 - STUD HEIGHT IS ONLY APPLICABLE WHEN USING CONTINUOUS THREADED STUDS. WHEN USING CONTINUOUS THREADED STUDS, USE LOCTITE #271 ON STUD THREADS INTO BODY PER JSA-34. DOUBLE ENDED STUDS DO NOT REQUIRE LOCTITE.
 - DIMENSIONS ARE IN INCHES. (A) (B)
 - SEE INSTUNCTIONAL DRAWING I-1774 FOR HANDLE OPTIONS AND DIMENSIONS. (B)

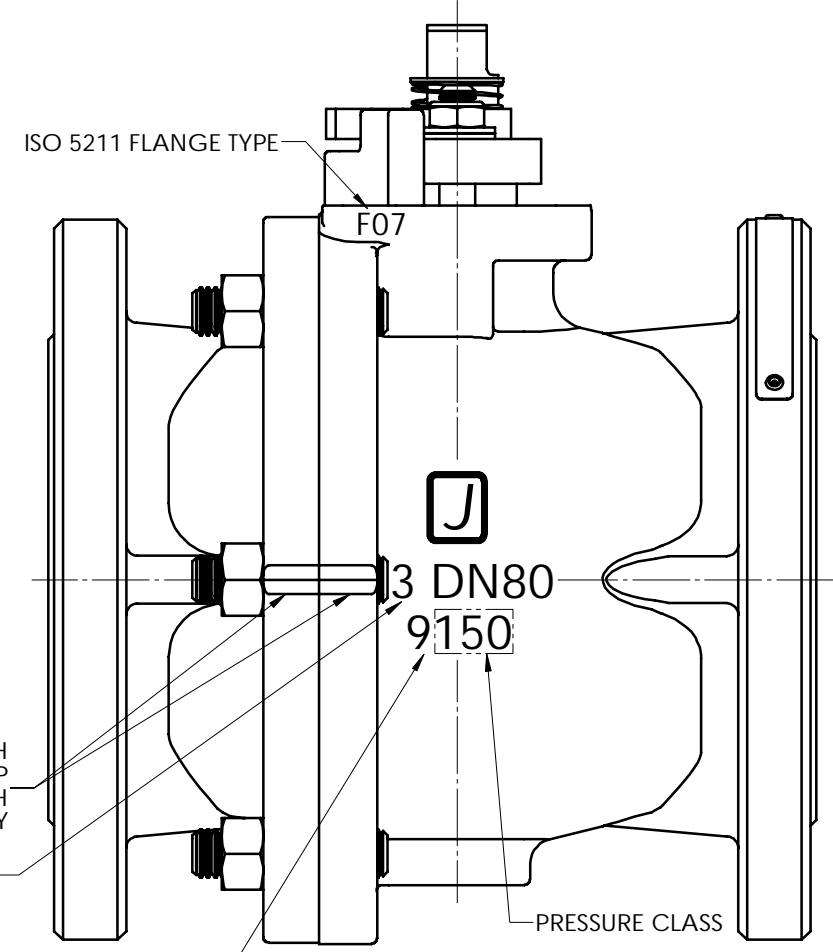
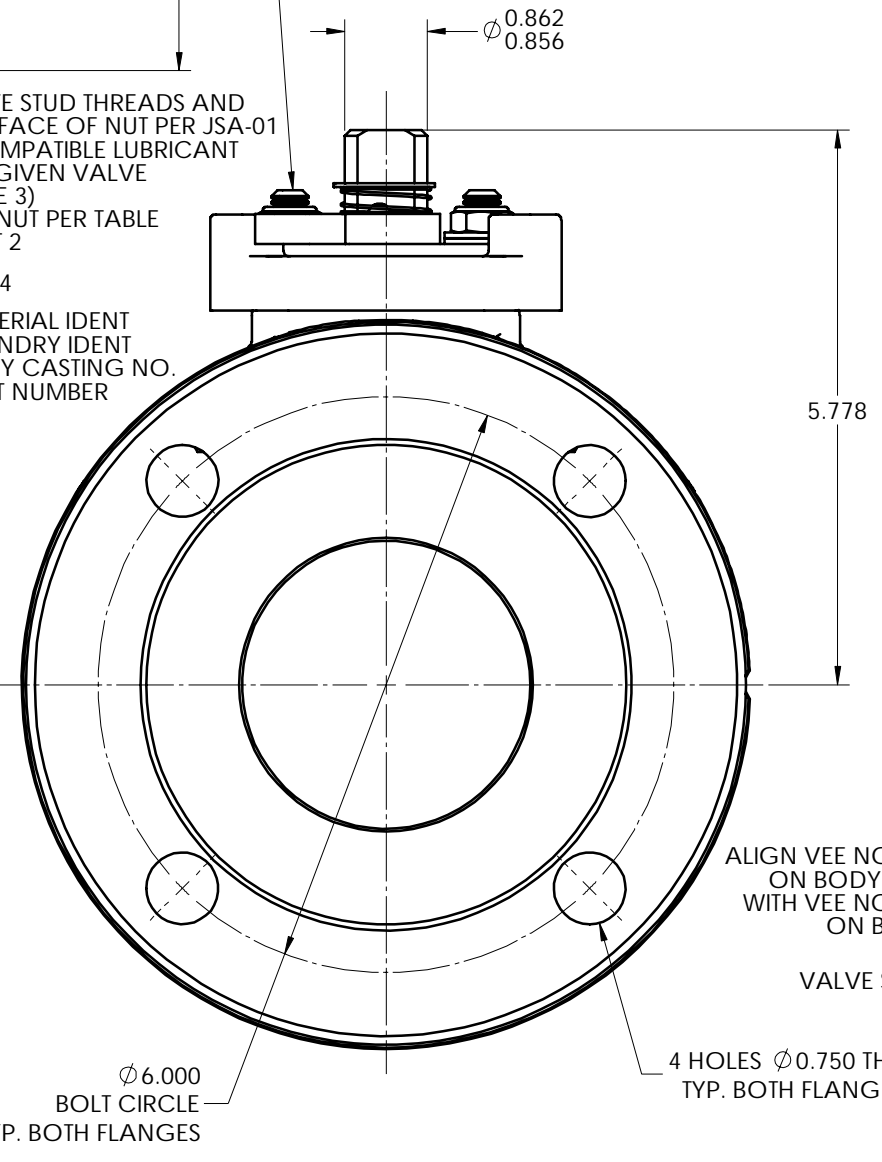


LUBRICATE STUD THREADS AND
BOTTOM FACE OF NUT PER JSA-01
OR A COMPATIBLE LUBRICANT
FOR THE GIVEN VALVE
(SEE NOTE 3)
TORQUE NUT TO 4 FT.-LBS.



LUBRICATE STUD THREADS AND
BOTTOM FACE OF NUT PER JSA-01
OR A COMPATIBLE LUBRICANT
FOR THE GIVEN VALVE
(SEE NOTE 3)
TORQUE NUT PER TABLE
ON SHEET 2

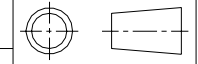
MATERIAL IDENT
FOUNDRY IDENT
BODY CASTING NO.
HEAT NUMBER



THIS DRAWING AND ALL
INFORMATION
CONTAINED HEREIN ARE
THE PROPERTY OF METSO
AND ARE NOT TO BE
USED EXCEPT AS
AUTHORIZED IN WRITING
BY METSO

SPECIFICATIONS TO BE USED IN CONJUNCTION WITH THIS DRAWING		MAKE FROM PART NO.		RESTRICTED	
JSA-01, JST-02	JSA-10, JSA-17	JSA-34	JMA-98	IMO-R29	
TITLE: VALVE ASSEMBLY 3" SERIES 9150RR MODEL C FULL BORE ASME CLASS 150 FLANGED BALL VALVE				DRAWN PJD	DATE 6/22/15
				APPVD. KAS	DATE 7/1/15

© 2016 Metso



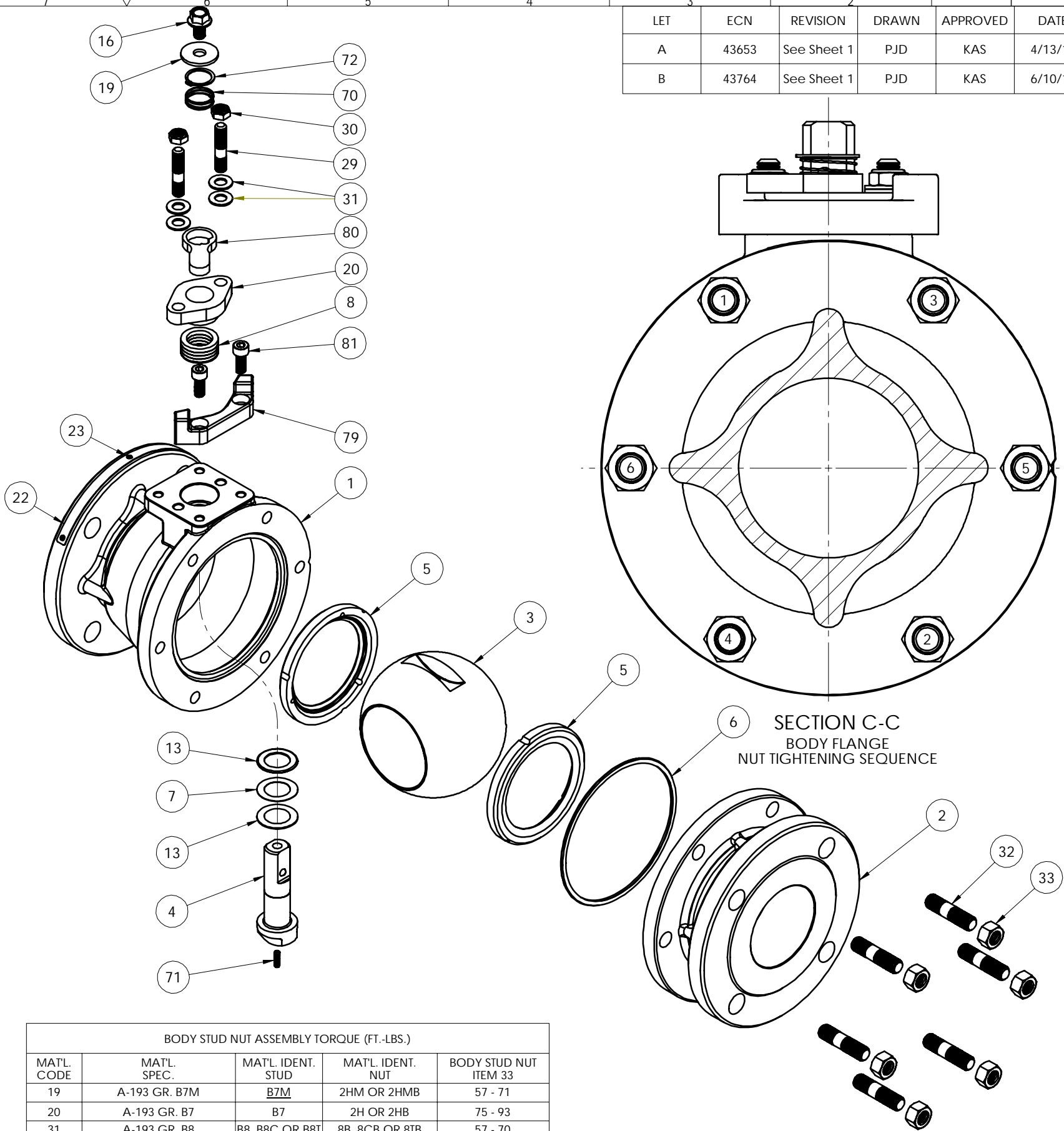
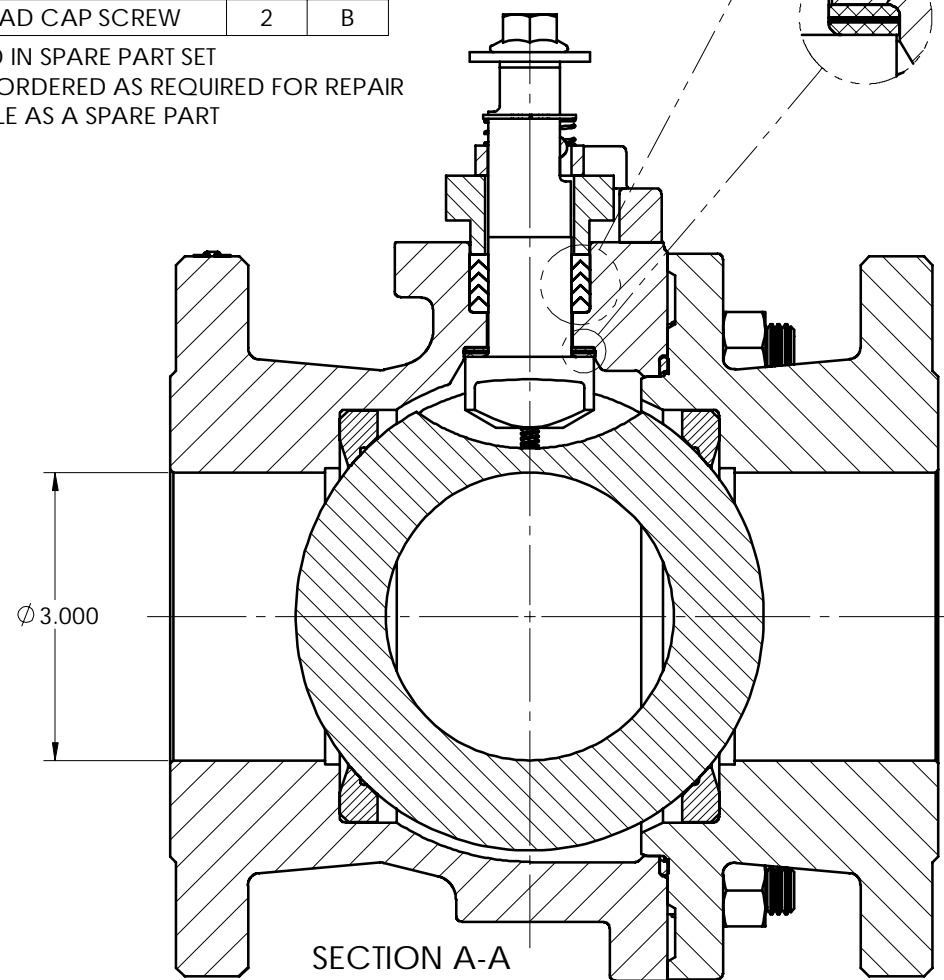
metso
SHREWSBURY, MASSACHUSETTS

SIZE DWG NO
D 5573

ITEM NO.	DESCRIPTION	QTY.	SPARE PART
1	BODY	1	N/A
2	BODY CAP	1	N/A
3	BALL	1	B
4	STEM	1	B
5	SEAT	2	A
6	BODY SEAL	1	A
7	SECONDARY STEM SEAL	1	A
8	STEM SEAL	1	A
13	STEM BEARING	2	A
16	HEX. HEAD CAP SCREW	1	B
17	HANDLE (SEE NOTE 6)	1	B
19	FLAT WASHER	1	B
20	COMPRESSION PLATE	1	B
22	IDENTIFICATION TAG	1	N/A
23	POP RIVET	3	N/A
29	BONNET STUD	2	B
30	BONNET STUD NUT (ESNA) (A)	2	B
31	DISC SPRING	4	B
32	BODY STUD	6	B
33	BODY STUD NUT	6	B
70	TOP GROUNDING SPRING	1	B
71	BOTTOM GROUNDING SPRING	1	B
72	RETAINING RING	1	B
79	TRAVEL STOP	1	B
80	INDICATOR STOP	1	B
81	SOCKET HEAD CAP SCREW	2	B

A= PART SUPPLIED IN SPARE PART SET
 B= PART MAY BE ORDERED AS REQUIRED FOR REPAIR
 N/A= NOT AVAILABLE AS A SPARE PART

PROPER DISC SPRING
 ARRANGEMENT
 (UNCOMPRESSED)



BODY STUD NUT ASSEMBLY TORQUE (FT.-LBS.)				
MATL. CODE	MATL. SPEC.	MAT'L. IDENT. STUD	MAT'L. IDENT. NUT	BODY STUD NUT ITEM 33
19	A-193 GR. B7M	B7M	2HM OR 2HMB	57 - 71
20	A-193 GR. B7	B7	2H OR 2HB	75 - 93
31	A-193 GR. B8	B8, B8C OR B8T	B8, B8CB OR B8TB	57 - 70
35	B-473 CARPENTER 20Cb-3	A20	A20	22 - 27
71	QQ-N-286	K	K	58 - 71

LET	ECN	REVISION	DRAWN	APPROVED	DATE
A	43653	See Sheet 1	PJD	KAS	4/13/16
B	43764	See Sheet 1	PJD	KAS	6/10/16

THIS DRAWING AND ALL INFORMATION CONTAINED HEREIN ARE THE PROPERTY OF METSO AND ARE NOT TO BE USED EXCEPT AS AUTHORIZED IN WRITING BY METSO

RESTRICTED

TITLE: VALVE ASSEMBLY
 3" SERIES 9150RR MODEL C
 FULL BORE ASME CLASS 150
 FLANGED BALL VALVE

DATE: 6/22/15
 DATE: 7/1/15

APPROVED: KAS

metso
 SHREWSBURY, MASSACHUSETTS

SIZE: D
 DWG NO: 5573
 REV: B