

# Fine crushing

Copyright Metso. All rights reserved

Copper  
Bulgaria

**Project type:** Revamping

**Plant:** Bulgaria

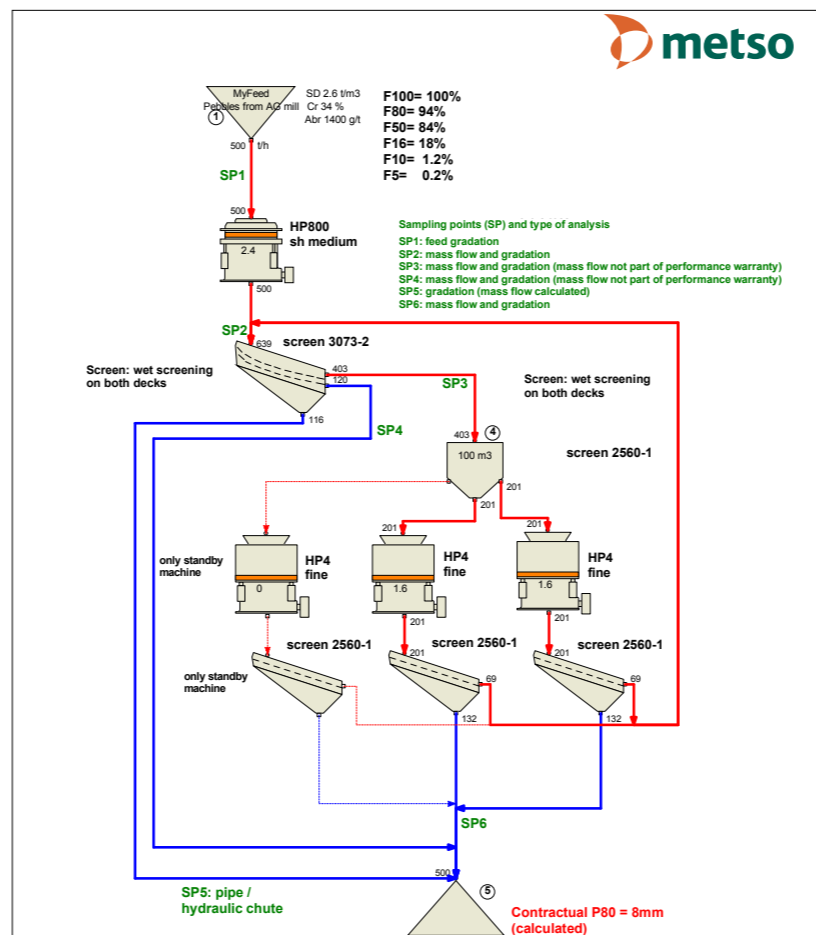
**Ore:** Copper

**Scope of supply:** Supervision of machine erection, start-up and commissioning.

**Equipment & process:**  
 1 x HP800 crusher with TC1000-C automation and 6KV motor  
 1 x MF3073-2P screen – wet screening on both decks  
 3 x HP4 crushers with IC7000 automation and 6KV motor  
 3 x KS2560-1P screens  
 Flow= 500 t/hour  
 P80 = 8 mm

**Benefits:** Increased plant efficiency due to ball mills receiving finer material.  
 All screens mounted on trolleys for easy maintenance.  
 An HP 4 crusher on stand-by to maintain capacity when changing liners.

**Year:** March 2012



www.metso.com  
 E-mail: info.crusher-systems@metso.com

