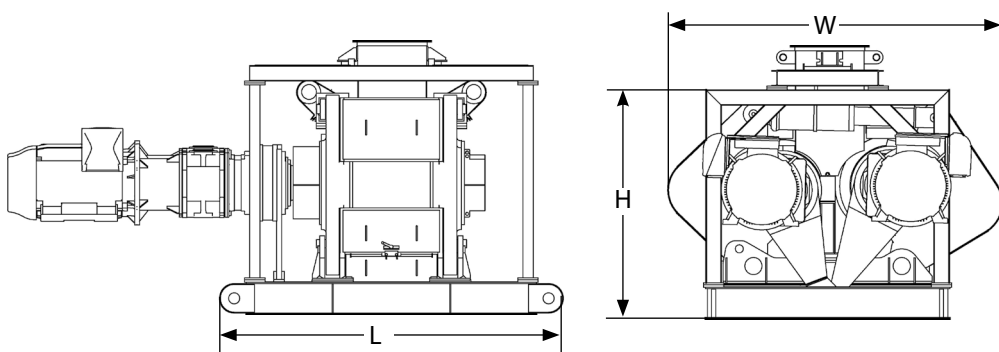
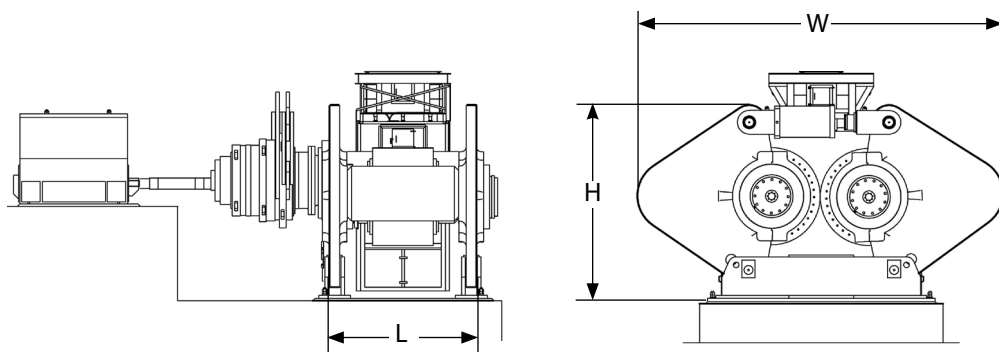


High Pressure Grinding Rolls (HPGRs) - HRC™

Size reduction



Model	Tire dimensions mm	Max. motor power kW	Max. motor power HP	H mm (inch)	L mm (inch)	W mm (inch)
HRC™800	730 x 500	2 x 132 kW	2 x 177 HP	2400 (94)	3700 (146)	2700 (106)
HRC™1000	1000 x 625	2 x 260 kW	2 x 349 HP	2700 (106)	3520 (139)	3500 (138)



Model	Tire dimensions mm	Max. motor power kW	Max. motor power HP	H mm (inch)	L mm (inch)	W mm (inch)
HRC™1200	1200 x 750	2 x 440 kW	2 x 590 HP	2200 (87)	1610 (639)	4400 (173)
HRC™1450	1450 x 900	2 x 650 kW	2 x 872 HP	2600 (102)	2050 (81)	5150 (203)
HRC™1700	1700 x 1000	2 x 900 kW	2 x 1207 HP	3105 (122)	2355 (93)	6295 (248)
HRC™2000	2000 x 1500	2 x 1900 kW	2 x 2548 HP	4080 (161)	3325 (131)	7740 (305)
HRC™2400	2400 x 1650	2 x 3000 kW	2 x 4023 HP	5008 (197)	3630 (143)	9092 (358)
HRC™2600	2600 x 1750	2 x 3700 kW	2 x 4962 HP	5120 (202)	3765 (148)	9718 (383)
HRC™3000	3000 x 2000	2 x 5700 kW	2 x 7644 HP	6264 (247)	4230 (167)	10800 (425)