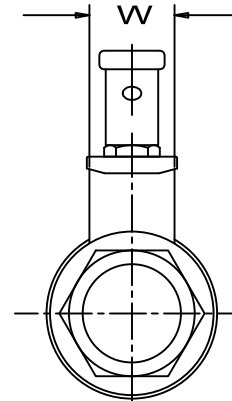
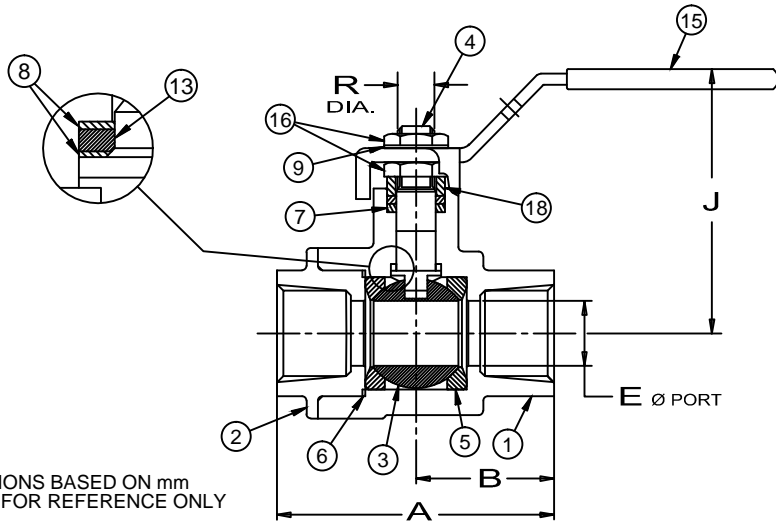
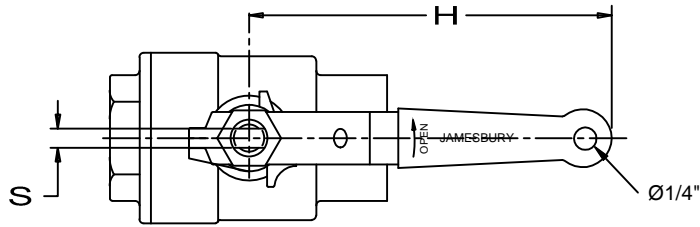


LET	REV	REVISION	DRAWN	APP'D	DATE
A	41035	REDRAWN AND ADDED SHEET 2	BC	BW	5-11-12



**MATERIALS LIST:**

P/N	QTY	PART NAME	B260J-1	B260J-3
1	1	BODY	A351-CF8M	A216-WCB
2	1	BODY CAP	A351-CF8M	A216-WCB
3	1	BALL	316 SS	316 SS
4	1	STEM	316 SS	316 SS
5	2	SEAT	PTFE/ FILLED PTFE	
6	1	BODY SEAL	PTFE	
7	2	STEM SEAL	PTFE	PTFE
8	2	STEM BEARING	PTFE/ FILLED PTFE	
9	1	SHAKEPROOF WASHER	304 SS	304 SS
13	1	2ND STEM SEAL	GRAPHITE	
15	1	HANDLE	304 SS	A283 CS
16	2	STEM NUT	304 SS	304 SS
18	1	COMPRESSION RING	304 SS	304 SS

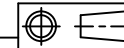
NOTE: DIMENSIONS BASED ON mm  
INCHES FOR REFERENCE ONLY

**DIMENSIONS: INCHES/mm**

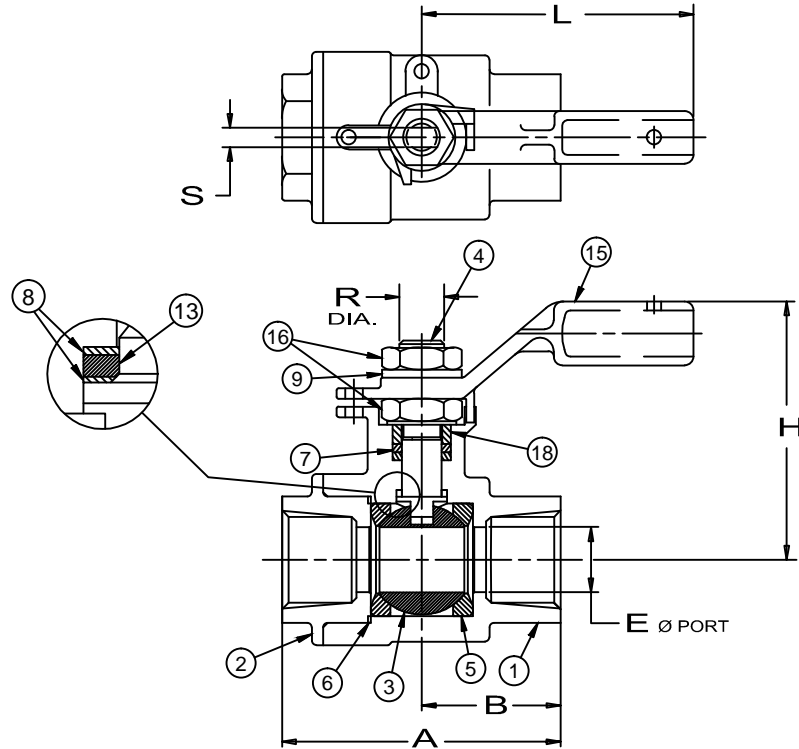
NPS DN	A	B	E	J	H	R	S	W
1/2"	2.36	1.18	.50	2.20	4.00	.31	.18	.75
15.0	60.0	30.08	12.7	56.0	101.6	7.87	4.57	19.0
3/4"	3.24	1.58	.88	3.00	5.50	.50	.31	.88
20.0	82.2	40.12	22.35	76.1	139.7	12.7	7.87	22.3
1"	3.62	1.81	1.00	3.13	5.50	.50	.31	.88
25.0	91.9	45.95	25.4	79.5	139.7	12.7	7.87	22.3
1 1/4"	4.01	2.00	1.25	3.84	6.00	.63	.37	.98
32.0	101.8	50.81	31.75	97.5	152.4	16.0	9.4	25.0
1 1/2"	4.57	2.28	1.50	4.02	6.00	.63	.37	.98
40.0	116.0	58.01	38.1	102.0	152.4	16.0	9.4	25.0
2"	5.04	2.52	2.00	4.61	6.00	.63	.37	.98
50.0	127.94	63.97	50.8	117.0	152.4	16.0	9.4	25.0

**1/2" - 2" BALL VALVE**

<small>THIS DRAWING AND ALL INFORMATION CONTAINED HEREIN ARE THE PROPERTY OF METSO AUTOMATION USA, INC. AND ARE NOT TO BE USED IN ANY MANNER WITHOUT THE WRITTEN AUTHORIZATION OF METSO AUTOMATION USA, INC.</small> <small>UNLESS OTHERWISE NOTED, DIMENSIONS, TOLERANCES, &amp; FINISHING REQUIREMENTS SHALL BE IN ACCORDANCE WITH ASME Y14.2M 2003.</small>		<small>MATERIAL SPECIFICATIONS</small> DO NOT SCALE DRAWING	<small>IDENT. MARK.</small> NONE
<small>SPECIFICATIONS TO BE USED IN THIS DRAWING</small>	<small>MAKE FROM PART NO.</small>	<small>DATE</small> 5-11-12	<small>SCALE</small> NONE
TITLE: <b>1/2" - 3" 6FR FULL PORT          2 PCS BALL VALVE          SCREWED END</b>		<small>DRAWN</small> ECB	<small>DATE</small> 5-11-12
<b>METSO AUTOMATION USA, INC.</b> <small>SHREWSBURY, MASSACHUSETTS</small>		<small>APPROV</small> RPL	<small>DATE</small> 5-11-12
<small>ANGLES = 45° FINISH = 250</small>	<small>SIZE</small> D	<small>DWG NO</small> S 5110	<small>REV</small> A



REV	ECN	REVISION	DRAWN	APPROV.	DATE
A	41035	REDRAWN AND ADDED SHEET 2	BC	BW	1-1-12



**MATERIALS LIST:**

P/N	QTY	PART NAME
1	1	BODY
2	1	BODY CAP
3	1	BALL
4	1	STEM
5	2	SEAT
6	1	BODY SEAL
7	2	STEM SEAL
8	2	STEM BEARING
9	1	SHAKEPROOF WASHER
13	1	2ND STEM SEAL
15	1	HANDLE
16	2	STEM NUT
18	1	COMPRESSION RING

NOTE: DIMENSIONS BASED ON mm  
INCHES FOR REFERENCE ONLY

**DIMENSIONS: INCHES/ mm**

NPS DN	A	B	E	H	L	R	S
3"	7.36	3.68	2.99	6.14	5.98	1.00	.67
76.0	186.9	93.47	75.95	156.0	151.9	25.4	17.0

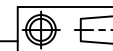
**3" BALL VALVE**

THIS DRAWING AND ALL INFORMATION CONTAINED HEREIN ARE THE PROPERTY OF METSO AUTOMATION USA, INC. AND ARE NOT TO BE REPRODUCED OR TRANSMITTED IN ANY FORM OR BY ANY MEANS, ELECTRONIC OR MECHANICAL, INCLUDING PHOTOCOPYING, RECORDING, OR BY ANY INFORMATION STORAGE AND RETRIEVAL SYSTEM, WITHOUT THE WRITTEN PERMISSION OF METSO AUTOMATION USA, INC.

UNLESS OTHERWISE NOTED:  
DIMENSIONS: TOLERANCING & DRAWING INTERPRETATIONS IN ACCORDANCE WITH ASME Y14.5M

ANGLES = 45° FINISH = 250

REMOVE SHARP EDGES AND CHAMFER TOP-EDGES OR CHAMFER DIMENSION IN INCHES.



MATERIAL CODE	MATERIAL TYPE	MATERIAL SPECIFICATIONS	IDENT. MARK
		DO NOT SCALE DRAWING	SCALE NONE
SPECIFICATION TO BE USED BY CONSULTANT OR THIS DRAWING		TITLE: 1/2" - 3" 6FR FULL PORT 2 PCS BALL VALVE SCREWED END	DRAWN DATE 4/14/94
		APPROV. RPL	DATE 4/14/94
METSO AUTOMATION USA, INC. SHREWSBURY, MASSACHUSETTS		SIZE D	DWG NO. S 5110
		REV A	REV A