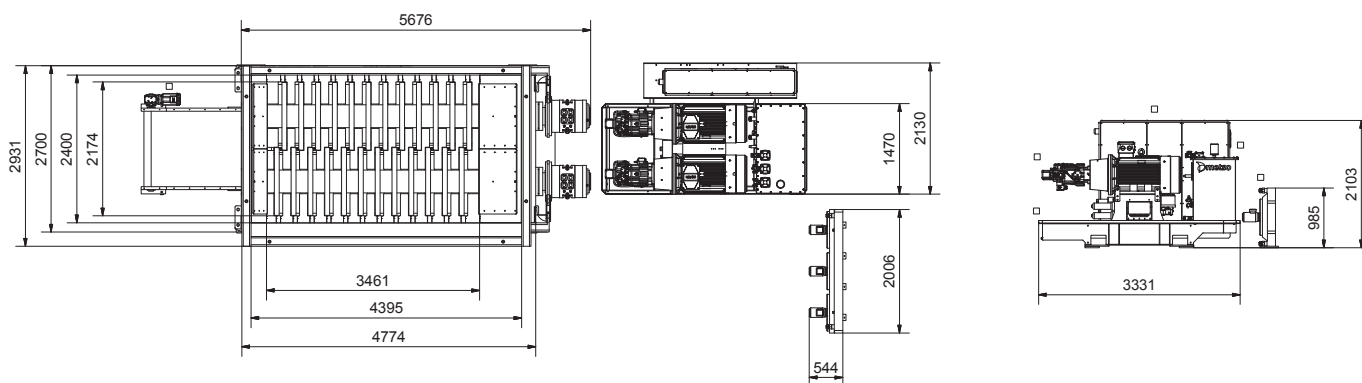
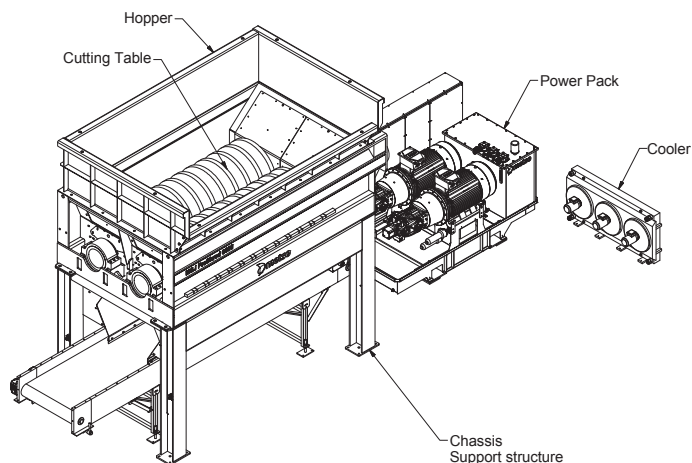
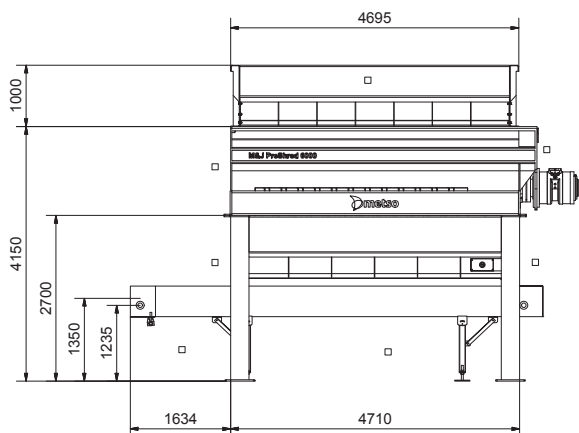


Waste Pre-Shredders from Metso Waste Recycling
M&J PreShred 6000S



M&J PreShred 6000S



| Specification | | |
|--|------------------------|--------------------------------------|
| Overall dimension std without hopper (LxWxH) | inch / mm | 305 x 106 x 163 / 7740 x 2700 x 4150 |
| Weight (total included standard conveyer) | metric ton / short ton | 34.3 – 39.2 / 37.8 – 43.2 |
| Standard colour | RAL | 7011, 9002 |
| Loading height (without hopper) | inch / mm | 163 / 4150 |
| Cutting area | inch / mm | 136 x 95 / 3461 x 2400 |
| Power pack | | |
| Electric motor | horsepower | 2 x 147 / 2 x 184 |
| Electric control unit | Allen Bradley UL 508A | PLC |
| Drive principle | | Double hydrostatic transmission |
| Chassis | | |
| Standard belt conveyer (LxW) | inch / mm | 246 x 47 / 6250 x 1200 |
| Discharge height | inch / mm | 49 / 1235 |
| Discharge width | inch / mm | 47 / 1200 |
| Weight (included / exclusive conveyer) | metric ton / short ton | 4.5 / 3.3 / 5 / 3.6 |

Cutting table



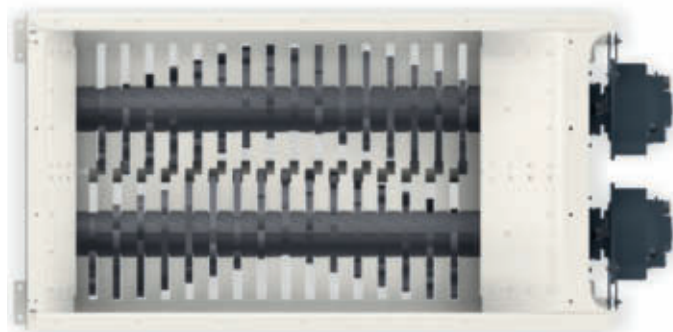
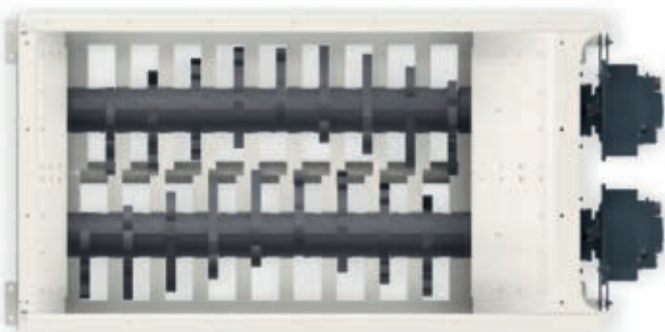
Samurai



Standard

Cutting table 9 knives

Cutting table 16 knives



M&J PreShred 6000S

| Cutting Table | | |
|--------------------------|------------------------|-------------------------|
| Number of shafts | | 2 |
| Rotating speed* | rpm | 11-32 |
| Number of knives | | 9 / 12 / 14 / 16 |
| Number of counter knives | | 18 / 24 / 28 / 32 |
| Cutting area (LxW) | inch / mm | 136 x 95 / 3461 x 2400 |
| Weight | metric ton / short ton | 24.5 – 27.7 / 27 – 30.5 |
| Grain size ** | | |
| 9 knives | inch / mm | <18 / <450 |
| 12 knives | inch / mm | <12 / <300 |
| 14 knives | inch / mm | <8 / <200 |
| 16 knives | inch / mm | <5 / <125 |
| Capacity per hour *** | | |
| Household waste | metric ton / short ton | Up to 200 / 220 |
| Demolition wood | metric ton / short ton | Up to 100 / 110 |
| Industrial waste | metric ton / short ton | Up to 50 / 55 |
| Bulky waste | metric ton / short ton | Up to 70 / 77 |

* Standard ** 90% less than

*** Depending on loading, grain size and density of the input material



For more information, contact your local Metso Waste Recycling representative, or contact your dealer directly.

Metso Denmark A/S
Vejlevej 5
DK-8700 Horsens
Denmark
Tel: +45 7626 6400
Fax: +45 7626 6449
recycling.info.dk@metso.com

North America
Metso Minerals Industries Inc.
20965 Crossroads Circle
Waukesha, WI 53186
U.S.A.
Phone: +1 262 717 2500
Fax: +1 262 717 2504

www.metso.com/recycling

2955-12-13-ESBL/Waukesha-English